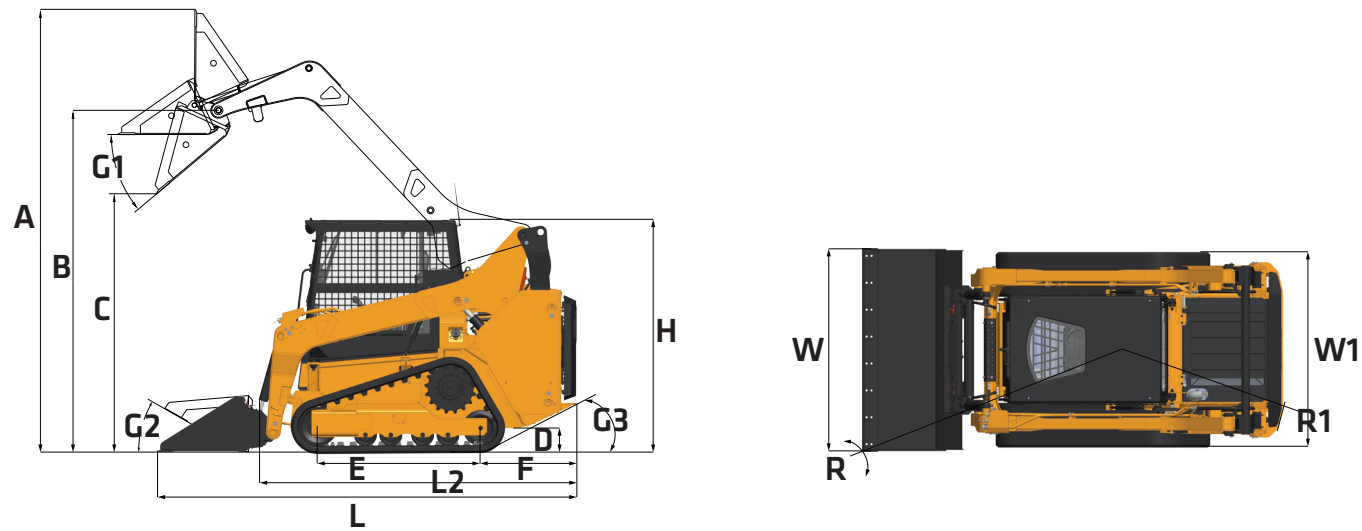


ST230V



COMPACT TRACK 10,318 LBS OPERATING WEIGHT
LOADER 73 HP NET ENGINE POWER
 7,368 LBS TIPPING LOAD



DIMENSIONS

A	Maximum Overall Height	156"
B	Bucket Pin Height at Maximum Lift	120.5"
C	Clearance at Maximum Lift and Dump	92"
D	Ground Clearance	9"
E	Track Length on Ground	57.5"
F	Bumper Overhang Behind Rear Axle	34.8"
G1	Maximum Dump Angle	40°
G2	Rollback Angle of Bucket on Ground	30°
G3	Departure Angle	28°
H	Height of Top of Cab	82.7"
L	Length with Bucket on Ground	142.1"
L1	Reach at Maximum Lift and Dump	42"
L2	Length without Bucket	113.6"
R	Turning Radius from Center-Bucket	82.7"
R1	Turning Radius From Center-Machine Rear	66.3"
W	Width with Bucket	72"
W1	Width without Bucket	70"

TECHNICAL SPECIFICATIONS

ENGINE	
Engine Model	Yanmar 4TNV98CT
Non-Road Emission Standard	Tier 4 Final / Stage V
Cylinders	4
Displacement	-
Rated Engine Power	73 hp
Peak Torque	206 lbf-ft @ 1,560 rpm

OPERATING	
Rated Operating Capacity	2,579 lbs
Tipping Load	7,368 lbs
Operating Weight	10,318 lbs
Max. Breakout Force	5,733 lbf
Lift Geometry	Vertical Lift
One Speed	5.4 mph
Two Speed	8.5 mph
Rubber Track Size	12.6", 15.75" (each in two patterns)
Standard Flow	21 gpm
High Flow	31.6 gpm
Cab	FOPS I & ROPS

In the interest of continual equipment development, SANY America Inc. reserves the right to change these specifications at any time without prior notification. ©2026 SANY America Inc. HEXPS26ST230V001



*WARRANTY APPLIES TO 2026 TELEHANDLER, GRADER, ROLLER, TRACK LOADER AND CRANE MODELS ONLY.

SANY America Inc. 318 SANY Way
 Peachtree City, Georgia 30269
 470.552.SANY sanyamerica.com



*Operating weight is for the ST230V with no attachments, and standard stick. SANY America Inc. reserves the right to change these specifications at any time without prior notification. ©2026 SANY America Inc. HEXPS26ST230V001

COMPACT TRACK LOADER **ST230V**

STANDARD FEATURES

ENGINE	ELECTRICAL
Tier 4 final/stage V certified	Battery disconnect switch
One-click startup	12V system
Power mode	AM/FM Bluetooth radio
Cold start aid	Back up alarm
Dual element air filter	Cab mounted LED work lights
POWERTRAIN	OTHER
Two-speed hydrostatic	Tracks: Rubber, two patterns
Rubber tracks (320mm/400mm)	Rear door dual-layer
Anti-derailment rollers	Cab > 60°
Service brake: hydrostatic	Drawbar hitch
Parking brake: mechanical	
HYDRAULIC	
Pilot control system	
Load-sensing system	
Joystick controls	
High-flow auxiliary	
Hydraulic quick coupler ready	
Bucket leveling	
CABIN	
ROPS/FOPS certification	
Sun Visor	
Air-suspension seat (cloth)	
Seat belt, retractable	
Armrest	
7' Touchscreen display	
Auto air conditioner / Heat	

10,318 LBS OPERATING WEIGHT
73 HP NET ENGINE POWER
7,368 LBS TIPPING LOAD

OEM ATTACHMENTS

72" Standard Duty Low Pro Bucket w/BOE
72" Standard Duty Low Pro Bucket w/BOT
72" Low Pro Dirt Bucket w/ BOE & Side Cutters
72" Low Pro Dirt Bucket w/ Teeth & Side Cutters
78" Multi-Purpose Bucket w/ BOE & Side Cutters
78" Multi-Purpose Bucket w/ Teeth & Side Cutters
72" Skeleton Grapple
72" Scrap Grapple w/ BOE
Auger Drive-2" Hex 15-25 GPM
72" Pick Up Broom w/ Combo Wafers
84" Angle Broom w/ Hyd Angle & Electrical Plug
90" Power Rake w/ Hyd Angle & Electrical Plug
72" Open Front Brush Cutter 25-33 GPM, 6" Capacity
72" Closed Front Brush Cutter 25-33 GPM, 4" Capacity
96" Snow/Light Material Bucket w/ BOE
72" Snow Blower 33-42 GPM w/ Electrical Plug
48" Trencher 25-33 GPM w/ 6" Terminator Plug
60" Trencher 25-33 GPM w/ 6" Rock & Frost Chain
5,500 lbs Rail Pallet Fork-Hi-Vis 1 1/2" x 48" Tines