

COMPACT TRACK LOADER

SANY



EASY TO OWN
EASY TO OPERATE
EASY TO SERVICE

BACKED BY INDUSTRY-LEADING STANDARD WARRANTIES

INDEPENDENTLY AMERICAN

Proudly Made for America

SANY America has been investing in and growing across the U.S. since 2006. From our \$60 million, 272-acre facility in Peachtree City, Georgia, to our growing dealer network stretching from Maine to Washington, we ensure our customers have the level of local support they expect.

Delivering true value and protecting your investment are important to us. That's why all SANY machines come loaded with standard features and are backed by the industry's strongest standard warranties.

We build our equipment with component brands you trust to keep you up and running. Our commitment to growing a local, trained service network throughout the country demonstrates just how far we'll go to support our machines and the people who operate them.

SANY is dedicated to helping American-owned businesses thrive with our commitment to value, performance and service.

Service

When we say that SANY machines are built to endure, we're really talking about service. SANY equipment is intentionally designed to be easily and efficiently serviced, with features such as wide compartment doors and ground-level access to make maintenance more efficient. Because ease of service means back in service.

We've Got Your Back

To provide peace of mind and ensure maximum uptime, SANY backs all its equipment with robust standard warranties. That's our commitment to keeping your fleet running at peak performance. Our network of local dealers will partner with you for routine maintenance and be there for warranty repairs. You can trust SANY to keep you moving, year-round.

Component Brands



COMPACT TRACK LOADER SANY ST230V

DOMINATE THE JOBSITE

The new SANY ST230V compact track loader is built to outperform. Navigate any terrain while pushing, lifting and conquering any challenge. A wide range of attachments lets you tackle diverse jobs with ease, while premium standard features maximize your productivity and boost your bottom line.

Experience the agility to maneuver in tight spaces and the muscle to handle demanding tasks. The ST230V excels in challenging work areas, maximizing your efficiency and profitability. Push, lift, grab, dig – the ST230V handles it all with quick and easy attachment changes thanks to the standard hydraulic quick-coupler-ready design and hi-flow auxiliary hydraulics.

Operator comfort is paramount, which is why the spacious cab features auto-temp HVAC, an air-suspension seat, and pilot controls to keep you comfortable and productive all day long.

Backed by the industry's strongest 3-year/3,000 hour standard warranty and local support, the ST230V delivers unmatched power and peace of mind.



ST230V



Engine Model	YANMAR 4TNV98CT
Engine Speed	2,400 rpm
Rated Power	73 hp
Peak Torque	206 lbf-ft at 1,560 rpm
Displacement	3.319 L
Aspiration	Turbocharged
Emissions	Tier 4 Final/Stage V
Cycle Time (Raise/Lower/Dump)	9 s
Loader Hydraulic Pressure	3,336 psi
Battery Voltage	12V
Diesel Tank	26.4 gal

COMPACT TRACK LOADER

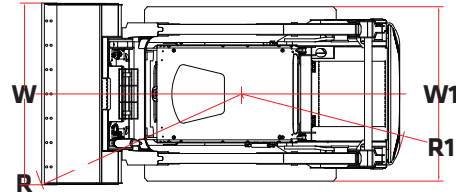
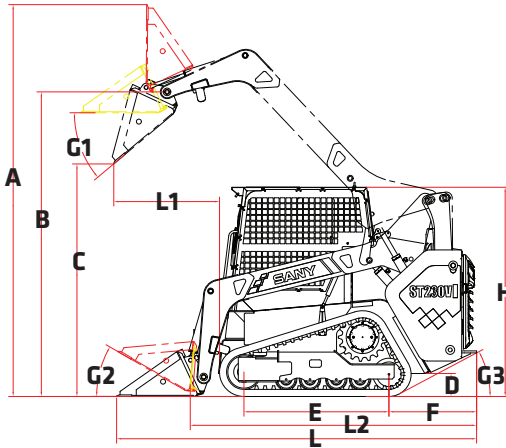


Rated Operating Capacity	2,579 lbs
Tipping Load	7,368 lbs
Operating Weight	10,318 lbs
Max Breakout Force	5,733 lbf
Lift Geometry	Vertical Lift
One Speed	5.4 mph
Two Speed	8.5 mph
Rubber Track Size	320 mm, 400 mm each in two patterns
Standard Flow	21 gpm
High Flow	31.6 gpm
Cab	FOPS I & ROPS

ST230V

COMPACT TRACK LOADER

DIMENSIONS



A	Maximum Overall Height	156"
B	Bucket Pin Height at Maximum Lift	120.5"
C	Clearance at Maximum Lift and Dump	92"
D	Ground Clearance	9"
E	Track Length on Ground	57.5"
F	Bumper Overhang Behind Rear Axle	34.8"
G1	Maximum Dump Angle	40°
G2	Rollback Angle of Bucket on Ground	30°
G3	Departure Angle	28°
H	Height to Top of Cab	82.7"

L	Length with Bucket on Ground	142.1"
L1	Reach at Maximum Lift and Dump	42"
L2	Length Without Bucket	113.6"
R	Turning Radius from Center-Bucket	82.7"
R1	Turning Radius from Center-Machine Rear	66.3"
W	Width with Bucket	72"
W1	Width Without Bucket	70"

ATTACHMENTS

The ST230V compact track loader is offered with 15 attachments to help you get more done every day.

Earthmoving & Grading



AUGER

Plays a crucial role in utility and infrastructure projects, efficiently boring holes to your desired depth and diameter.



6-WAY DOZER BLADE

Move dirt, backfill, grade and contour with precision. Ideal for site preparation, landscaping and road work.



LOW-PROFILE, HEAVY-DUTY DIRT BUCKET

Dig trenches, level terrain and grade surfaces with accuracy. Perfect for landscaping, utility work and construction.

Earthmoving & Grading



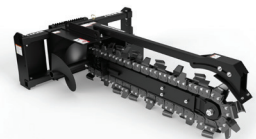
MULTIPURPOSE BUCKET

The ultimate 4-in-1 tool! Dig, load, grab and level with this versatile bucket. Excellent for a wide range of tasks.



POWER RAKE

Efficiently grade and level uneven terrain. Ideal for finishing work on lawns, driveways and construction sites.



TRENCHER

Cut narrow, straight trenches with ease. Perfect for installing irrigation, drainage and utility lines.

Snow Removal



SNOW BLOWER

Clear snow in tight or confined spaces. Perfect for sidewalks, driveways and other areas where larger equipment can't reach.

Material Handling



HI-VIS RAIL PALLET FORK
Safely and efficiently transport and position rails, sleepers, ballast, and ties for railway construction and maintenance.



SCRAP GRAPPLE
Pick up and remove demolition debris like concrete rubble, bricks and wood.



SKELETON GRAPPLE
Haul brush, logs and debris with ease. Open sides, bottom and back allow for versatile material handling.



SNOW/LIGHT MATERIAL BUCKET
Efficiently move snow, mulch, gravel and other light materials.

Land Clearing & Maintenance



ANGLE BROOM
Sweep and clear debris, gravel, sand and waste from construction sites, parking lots and other areas.



CLOSED-FRONT ROTARY BRUSH CUTTER
Clear grass and brush with a 4" cutting capacity, leaving a clean and consistent finish. Ideal for maintaining roadsides, parks and other areas.



OPEN-FRONT ROTARY BRUSH CUTTER
Clear vegetation around power lines, pipelines and transportation corridors. Perfect for utility and right-of-way maintenance.



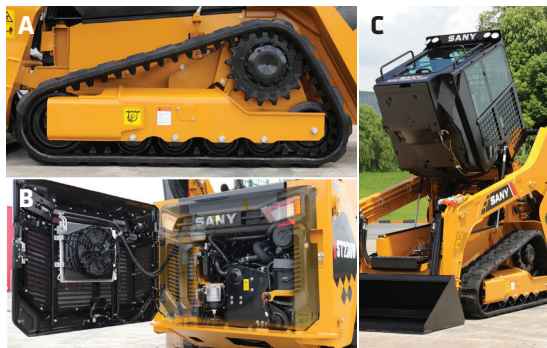
PICKUP BROOM
Sweep dirt and debris directly into the attached bucket for easy cleanup.

Interior



[A] Multifunctional control panel for easy and convenient operation. **[B]** One-click startup; one-click unlock. **[C]** 7" LCD display.

Exterior



[A] The support rollers are designed with an anti-derailment function, ensuring more stable operation of the front guide wheel. **[B]** The rear door adopts a dual-layer structure, with the outer layer being integrally stamped, providing strong anti-collision performance; the tailgate opens at an angle larger than 95°. **[C]** The cab can tilt up to more than 60°.

LOW-RATE FINANCING

SANY Capital offers a variety of finance options to fit the customer's needs when purchasing SANY equipment. It's a more flexible way to get heavy equipment for your business with customized financing solutions. So, go ahead, pick out the SANY equipment you need to tackle your next big project. And rest easy knowing that SANY Capital is standing by to make sure your financing process is always fast, simple and convenient.



SANY



**INDUSTRY'S
STRONGEST
STANDARD
WARRANTY**

**3-YEAR
3,000 HOURS**

*Warranty applies to 2026 Crane, Telehandler,
Grader and Roller models only.

SANY America Inc.

318 SANY Way

Peachtree City | GA 30269

| T | 470-552-SANY

CEPG26ST230V002

sanyamerica.com

In the interest of continual equipment development, SANY America Inc. reserves the right to change these specifications at any time without prior notification.

© 2026 SANY America Inc.