

SINGLE DRUM ROLLER

SSR120HT

STANDARD FEATURES

- Components from brands you trust like Cummins engines and Danfoss hydraulic motors for dependable performance
- Clear lines of sight and a suspension seat offer operator comfort and job site safety
- Pad foot shell kit comes standard
- ROPS/FOPS Certified
- Dual pump propulsion drive system

145 hp

Net Power

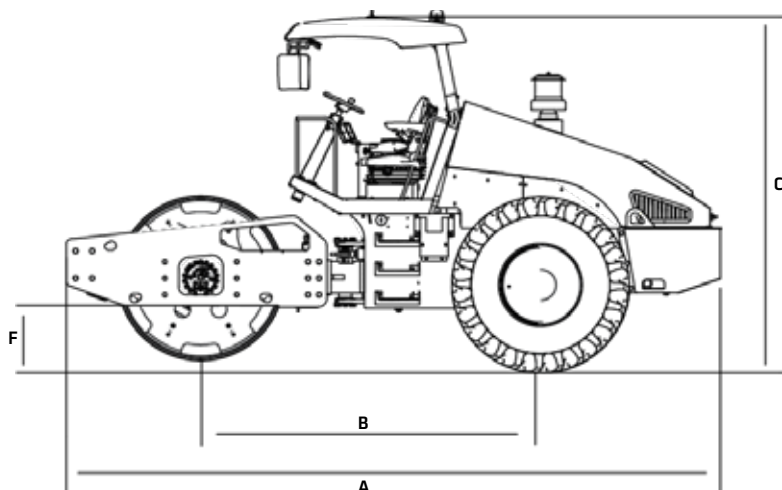
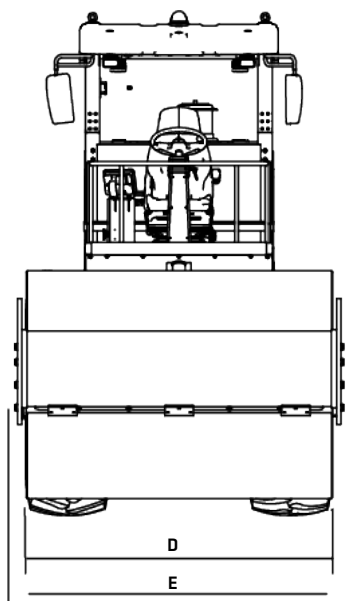
26,103 lbs

Operating Weight

84"

Drum Width

DIMENSIONS



OVERALL DIMENSIONS

A	Overall Length	18' 10"	5 750 mm
B	Wheelbase	9' 11"	3 023 mm
C	Overall Height Smooth Drum	11' 1"	3 390 mm
C	Overall Height with Padfoot	11' 5"	3 490 mm
D	Drum Width	84"	2 130 mm
E	Overall Width	7' 4"	2 240 mm
F	Ground Clearance	1' 7"	480 mm
	Drum Diameter	4' 11"	1 500 mm
	Drum Shell Thickness	1"	25 mm
	Inside Turning Radius	12' 7"	3 828 mm
	Min. Outside Turning Radius	19' 7"	5 958 mm
	Curb Clearance	1' 7"	470 mm



STANDARD FEATURES

s = standard

SSR120HT	POWERTRAIN
s	4.5L Cummins
s	Three speed throttle switch
s	Dual-element dry air filter
s	Dual propel pumps; one for drum drive, one for rear axle
s	Electronic engine control
s	Limited slip differential
s	Fuel filter with water separator
s	Full-flow oil filter
s	Turbocharger with charge air cooler
s	500-hour engine oil change interval
s	Engine air precleaner
VIBRATORY SYSTEM	
s	Smooth drum
s	Dual amplitude, dual frequency
s	Auto vibe function
s	Dual adjustable steel smooth drum scrapers
s	Dual adjustable steel padfoot drum scrapers
s	Padfoot shell kit
ELECTRICAL	
s	24 volt electrical system
s	Ground level electrical disconnect (lockout tag out)
s	850 cold cranking amps battery capacity
s	Positive-terminal battery covers
s	Back-up alarm
s	Emergency stop
s	Rotating beacon light
s	LED work lights
s	Indicator and hazard lights all LED

In the interest of continual equipment development, SANY America Inc. reserves the right to change these specifications at any time without prior notification.
 ©2023 SANY America Inc. HEXPS23SSR120HT001



STANDARD FEATURES

s = standard

SSR120HT	OPERATOR'S STATION
s	Open platform with handrails/guardrails
s	3" Seatbelt
s	ROPS/FOPS canopy
s	12 and 24v outlets 60 watt 5 amp
s	Illuminated gauge: diesel exhaust fluid, engine coolant, and fuel levels
s	Horn
s	Hour meter, electric
s	External rearview mirrors
s	Adjustable, tilting steering wheel
s	Multifunction, color LCD monitor with: diagnostic capability / multiple-languages
s	Single lever control for travel and vibration
s	Engine check, engine coolant temperature indicator
s	Light with audible alarm, low-alternator charge indicator light, low-fuel indicator light, low DEF indication with audible alarm, fault code alert indicator, fuel rate display, wiper-mode indicator, work lights on indicator, and work-mode indicator
s	Hydraulic oil filter restriction indicator light
s	Cup holder

In the interest of continual equipment development, SANY America Inc. reserves the right to change these specifications at any time without prior notification.
 ©2023 SANY America Inc. HEXPS23SSR120HT001

PRODUCT SPECIFICATIONS ROLLER || SSR120HT

MACHINE PARAMETERS

ENGINE

Engine Model	Cummins QS84.5	
Emission	T4F	
Rated Gross Power	160 HP @ 2,200 RPM	119kW@2 200RPM
Rated Net Power	145 HP @ 2,200 RPM	110kW@2 200RPM
Max Torque	460 lb-ft @ 1500 RPM	624 N.m @ 1500 RPM
Low Idle / High Idle	700 rpm / 2386 rpm	
Displacement	4.5 L	
Stroke	4.2"	124 mm
Bore	4.2"	107 mm
# of Cylinders	4	
Max. Travel Speed	0~3/0~4 mph; 0~5/0~6 mph	0~5/0~6.5 km/h; 0~8/0~10 km/h

WEIGHTS

Operating Weight	26,103 lbs	11 840 kg
Weight at Drum	14, 065 lbs	6 380 kg
Weight at Axle	12,037 lbs	5 460 kg
Weight with Padfoot Kit	29,410 lbs	13 340 kg

ELECTRICAL

Battery	Model	6-QW-120MF
	Voltage	12V
	CCA	850 Amp
Alternator	Capacity	120 Ah
	Amp	70 Amp
Power Outlet	Voltage	24V
	Voltage	12V
	USB	12V

VIBRATORY SYSTEM

Frequency	32 / 36 Hz	
Amplitude	0.07 / 0.04 in.	1.8 / 0.9 mm
Static Linear Load	188 lbs/in	329 N/cm
Centrifugal Force	62,947 / 40,016 lbs	280 / 178 kN

In the interest of continual equipment development, SANY America Inc. reserves the right to change these specifications at any time without prior notification.

DRIVE SYSTEM

Tires	23.1-26-14PR	
Parking Brakes	290~348 Psi	2~2.4 MPa
Gradeability Smooth Drum	60%	
Gradeability Padfoot	55%	
Articulation	+/- 35°	
Oscillation Angle	+/- 8°	

SERVICEABILITY AND FILL CAPACITIES

Fuel Tank	52.8 gal	200 L
DEF Tank	5.0 gal	19 L
Cooling System	10.5 gal	39.7 L
Hydraulic Tank	31.7 gal	120 L
Engine Oil (with filter)	5.6 gal	21 L
Vibratory Drum	2.6 gal	10 L
Drum Final Drive (Reducer)	1.6 gal	6 L
Axle Final Drives	0.5 gal	1.8 L
Rear Axle	5.3 gal	20.0 L
Travel Bearing (Grease)	0.9 gal	3.4 L

SOUND LEVEL

Operator's Ear in the Cab	82.0 db
External	108.0 db

PADFOOT SHELL KIT

# of Pads	108	
Pad Height	4 in	100 mm
Pad Face Area	11.5 in ²	74 cm ²

SANY

SANY America Inc.
318 SANY Way
Peachtree City, Georgia 30269
470.552.SANY

©2023 SANY America Inc. HEXPS23SSR120HT001



sanyamerica.com



*Warranty applies to 2023 Crane, Telehandler, Grader and Roller models only.