

MOTOR GRADER

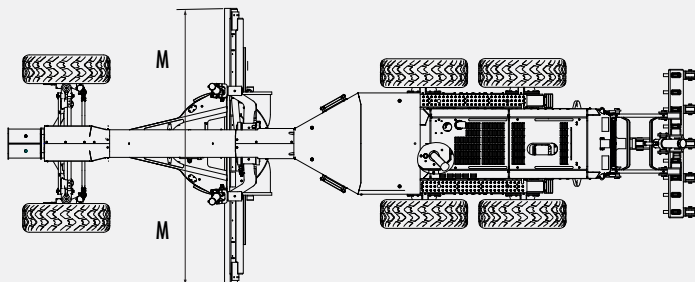
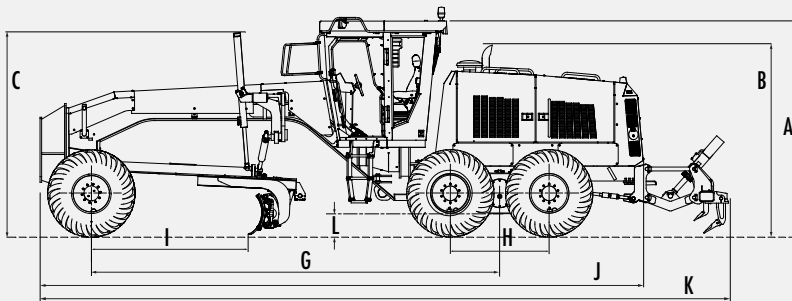
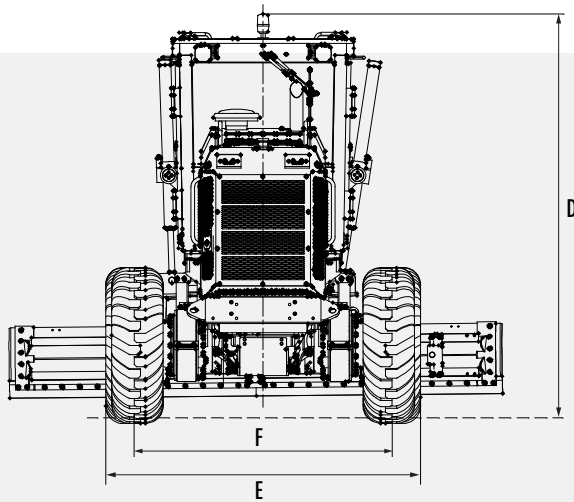
SMG200AWD

STANDARD FEATURES

- ➔ 14-foot blade to handle even large jobs quickly
- ➔ Joystick controls for grading and steering wheel for roading offer simple-to-learn operation
- ➔ Air-conditioned cab and heated air ride seat standard for operator comfort
- ➔ Open cab design with rear-view camera maximizes line of sight and visibility
- ➔ ROPS/FOPS Certified

253 hp
 Engine Output—Net
47,715 lbs
 Operating Weight
14'
 Moldboard Width

DIMENSIONS



OVERALL DIMENSIONS

A	Height to Top of Cab	11' 6"	3 498 mm
B	Height of Exhaust Pipe	9' 7"	2 912 mm
C	Height of Top of Cylinders	10' 2"	3 110 mm
D	Height Over ROPS	11' 6"	3 498 mm
E	Width Over Std Tires	8' 11"	2 725 mm
F	Width to Tire Center	7' 2"	2 185 mm
G	Wheelbase	20' 8"	6 300 mm
H	Rear Wheelbase	5'	1 524 mm
i	Front Axle to Blade	8' 3"	2 520 mm
J	Length (F/R)	30' 2"	9 187 mm
K	Overall Length	34' 8"	10 572 mm
L	Ground Clearance	15"	370 mm
M	Width—Moldboard	14'	4 270 mm

STANDARD AND OPTIONAL EQUIPMENT

s = standard / o = optional

SMG200AWD	ENGINE
s	QSL 9 Cummins
s	U.S. EPA Tier 4 Final / EU Stage V emissions standards
s	Dual-element, dry air filter
s	Batteries 24 volt (2-12 volt)
s	Air-to-air after cooler (ATAAC)
s	Belt, serpentine, with tensioner
s	Coolant expansion tank
s	Electronic engine control
s	Enclosed fan guard
s	Engine coolant to -37 deg. C (-34 deg. F)
s	Diesel exhaust fluid tank 18.92 L (5 gal)
s	Fuel tank, 330 L, (89 gal) ground level fill and sediment drain
s	Fuel filter with water separator
s	Remote engine oil drain with ecology drain
s	Full-flow oil filter
s	Fuel priming pump
s	Turbocharger
s	500-hour engine-oil-change interval
s	Engine air precleaner
s	Severe-duty fuel filter
POWERTRAIN	
s	SANY power shift transmission
s	All wheel drive
s	Manual differential lock
s	Spring-applied, hydraulically released parking brake
s	Wet-multiple disc brakes
s	8 forward gears - 6 reverse gears
s	Tire size 17.5 R25
s	Secondary steering
s	Rear axle modular
s	Sealed and lubricated tandem chain
OTHER STANDARD EQUIPMENT ITEMS	
s	14' moldboard
o	12' moldboard
s	5 rippers
s	9 scarifiers
s	Endbits
s	Overload protection (breakaway)-moldboard
s	Front counterweight
s	Articulation frame lock bar
s	Drawbar-low maintance circle
s	Cooling package, cleanout access
s	Compartment doors (2), engine, locking

STANDARD AND OPTIONAL EQUIPMENT

s = standard / o = optional

SMG200AWD	OPERATOR'S STATION
s	Adjustable independent-control positions (levers-to-seat, seat-to-pedals)
s	ROPS / FOPS cab
s	AM/FM radio with USB charging and Bluetooth® connectivity
s	Auto climate control/air conditioner and heat
s	Built-in operator's manual storage compartment and manual
s	12 and 24v outlets 60 watt 5 amp
s	Deluxe heated air suspension cloth seat
s	Front windshield wiper with variable speeds
s	Left and right side doors with wipers
s	Rear window with wiper
s	Illuminated gauge: diesel exhaust fluid, engine coolant, and fuel levels
s	Electric over hydraulic controls for 8 functions
s	Acclerator pedal
s	Inching pedal
s	Horn, electric
s	Hour meter, electric
s	Hydraulic lock out switch, all controls
s	Operator steering wheel for roading machine
s	Interior light
s	Hydraulic steering on left joystick
s	Joystick gear selection
s	Auto articulation (return to center)
s	Rearview mirror
s	Left and right side rearview mirrors
s	Large cup holder
s	Escape tool (emergency exit)
s	Left and right side cab ladders
s	Multifunction color LCD monitor with: diagnostic capability / multiple-languages / maintenance tracking / clock
s	System monitoring with alarm features: engine air cleaner restriction indicator light, engine check, engine coolant temperature indicator light with audible alarm, engine oil pressure indicator light with audible alarm, low-alternator-charge indicator light, low-fuel indicator light, low DEF indication with audible alarm, fault code alert indicator, fuel-rate display, wiper-mode indicator, work-lights-on indicator, and work-mode indicator
s	Retractable seat belt (2 in)
s	Hydraulic oil filter restriction indicator light
s	Electronic throttle control
ELECTRICAL	
s	24V Electrical system
s	120-amp alternator
s	Heavy duty, maintenance free batteries, (1100 CCA)
s	Ground level electrical disconnect (lockout tag out)
s	Blade-type multi-fused circuits
s	Electrical starter
s	Positive-terminal battery covers
s	Back up alarm
s	Rearview camera
s	Work lights: high-power LED—2 mounted on frame , 2 mounted on top of cab, 2 mounted on bottom of cab, 2 mounted on back of cab, 2 mounted on rear of machine
s	2 Haleigh lights on front of machine

PRODUCT SPECIFICATIONS MOTOR GRADER ||| SMG200AWD

MACHINE PARAMETERS

ENGINE

Engine Model	Cummins QSL9	
Engine Net Power	253 hp	186 kW
Torque Rated Speed	1,500 rpm	
Displacement	543.1 in ³	8.9 L
Turbo Charged with Intercooler	Yes	

OPERATING

Frame Type	Articulated	
Moldboard	14'	4 270 mm
Moldboard - Cutting Depth	28.15"	715 mm
Moldboard Height	24.41"	620 mm
Moldboard - Lift Above Ground	18.9"	480 mm
Moldboard - Pitch	40° forward and 5° rear	
Side shift left	86"	2 172 mm
Side shift right	90"	2 280 mm
Frame Articulation	22°	
Front Wheel Lean	17'	
Axle Oscillation	16'	
Turning Radius - Minimum	295.28"	7.5 m
Transport Width	107.28"	2 725 mm
Fuel Tank	89.82 gal	340 L
Telematics Available	Yes	

POWERTRAIN

Drive Configuration	6 x 6	
Traction Aid	Manual Differential Lock	
Service Brake Type	Wet Multiple-Disc	
Number of Axles	2	
Tire Size - Standard	17.5-25	

TRANSMISSION

Transmission Type	Direct-Drive, Power Shift	
Number of Speeds		
4WD mode	8-Forward / 6-Reverse	
AWD mode	7-forward / 6-Reverse	

WEIGHT

Operating Weight	47,230 lbs	21 423 kg
Operating Weight - Maximum	47,715 lbs	21 643 kg
Loading - Rear Axle / Tandem	33,808 lbs	15 335 kg
Blade Down Pressure	19,925 lbf	88.63 kN

HYDRAULIC SYSTEM

Output Flow of Working Pump (at rated speed)	65 gal/min	246 L/min
Max Working Pressure of Implement System	1.45 psi	21 MPa
Transmission Control Pressure	3.19~4.35 psi	2.2~3.0 MPa

SERVICEABILITY AND FILL CAPACITIES

Hydraulic Oil Tank	29 gal	110 L
Fuel Tank	89 gal	330 L
DEF Tank	5 gal	19 L
Differential axle capacity	12 gal	44 L
Coolant capacity	14.5 gal	55 kg
Battery cold cranking amps	1,100 CCA's	
Alternator	120 Amps	
Transmission	14.5 gal	55 L

SANY

In the interest of continual equipment development, SANY America Inc. reserves the right to change these specifications at any time without prior notification.

©2023 SANY America Inc. HEXPS23SMG200AWD001

SANY America Inc. 318 SANY Way
Peachtree City, Georgia 30269
470.552.SANY sanyamerica.com



[sanyamerica.com](https://www.sanyamerica.com)



*Warranty applies to 2023 Crane, Telehandler, Grader and Roller models only.