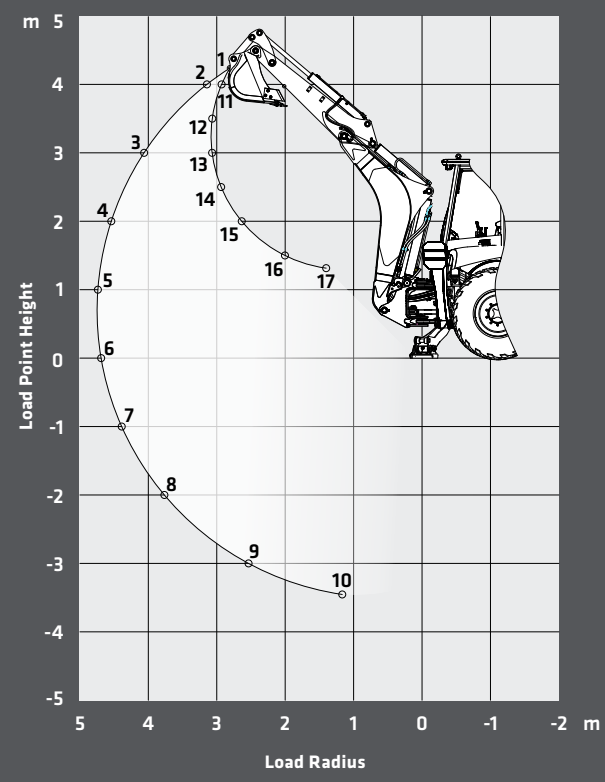


# SLB95 LIFTING PERFORMANCE

LIFTING FORCE			
	POSITION	IMPERIAL	METRIC
Boom	1	3,005 lbs	1 363 kg
	2	2,619 lbs	1 188 kg
	3	2,778 lbs	1 260 kg
	4	2,696 lbs	1 223 kg
	5	2,571 lbs	1 166 kg
	6	2,414 lbs	1 095 kg
	7	2,344 lbs	1 063 kg
	8	2,286 lbs	1 037 kg
	9	2,423 lbs	1 099 kg
	10	3,845 lbs	1 744 kg
Arm	11	2,844 lbs	1 290 kg
	12	3,735 lbs	1 694 kg
	13	5,941 lbs	2 695 kg
	14	5,816 lbs	2 638 kg
	15	6,579 lbs	2 984 kg
	16	7,683 lbs	3 485 kg
	17	9,504 lbs	4 311 kg



# SLB95 PRODUCT SPECIFICATIONS SANY



## STANDARD FEATURES

- 4WD Powershift Transmission with Limited Slip Differential and Drive Shaft Guard
- Load Sensing Hydraulic with Pilot Controls and ISO/SAE Pattern Change
- Boom Float, Return to Dig, and Breaker Line
- Flip-Over Pads, Outrigger Cylinder Guards and Front Bumpers
- Eight LED Working Lights, Rotating Beacon, Traffic Lights, Air Suspension Seats, and 3" Retractable Seatbelt
- Bluetooth (in Cab Model Only)

Net Power	<b>95 hp</b>
Excavator Dig Depth	<b>14' 3"</b>
Operating Weight	<b>17,637 lbs</b>
Loader Bucket Capacity	<b>1.3 yd<sup>3</sup></b>
Excavator Bucket Capacity	<b>0.34 yd<sup>3</sup></b>

In the interest of continual equipment development, SANY America Inc. reserves the right to change these specifications at any time without prior notification.