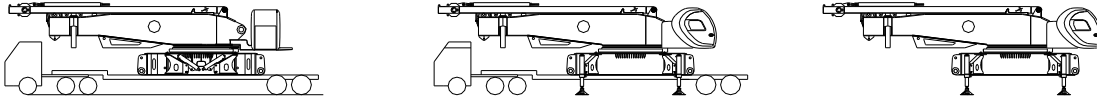


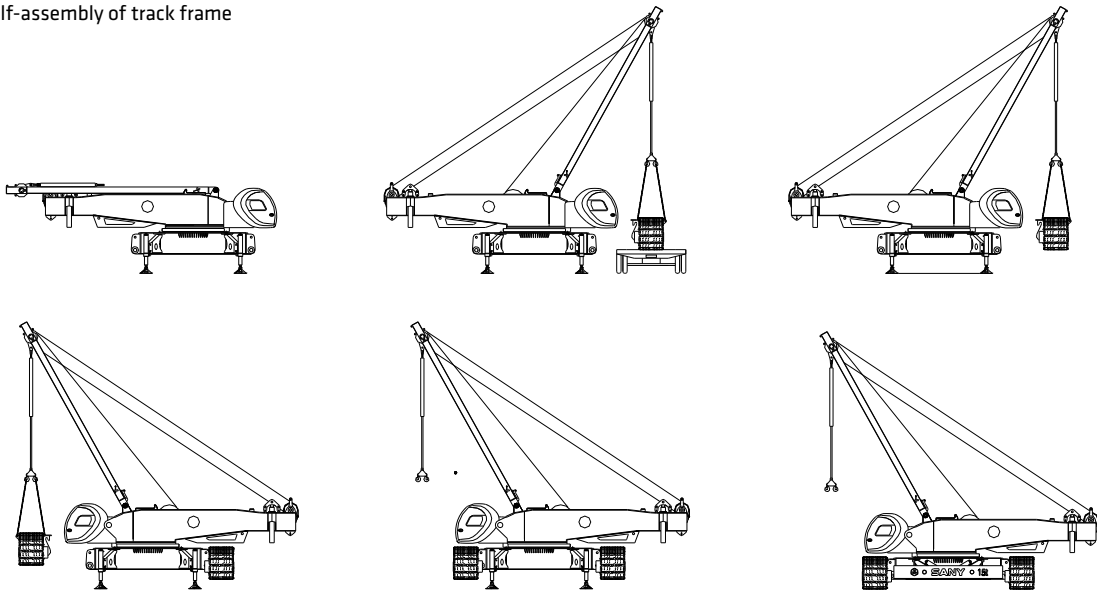
Schematics for Assembly/Disassembly

Schematics for self-assembly of basic machine

1) Self-assembly of basic machine



2) Self-assembly of track frame



3) Self-assembly of counterweight and boom base

