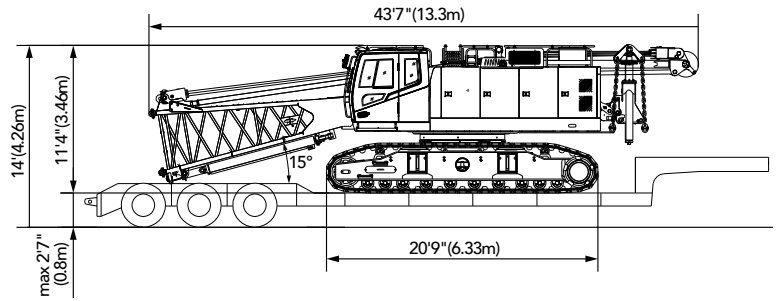


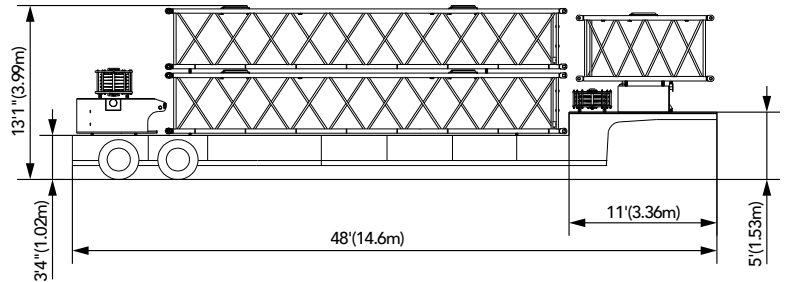
SCA1000A | TRANSPORT PLAN

Trailer 1	
Part(s)	<ul style="list-style-type: none"> Basic Machine (with double free fall, 3rd winch)
Weight	<ul style="list-style-type: none"> 118.8Klb (54t)

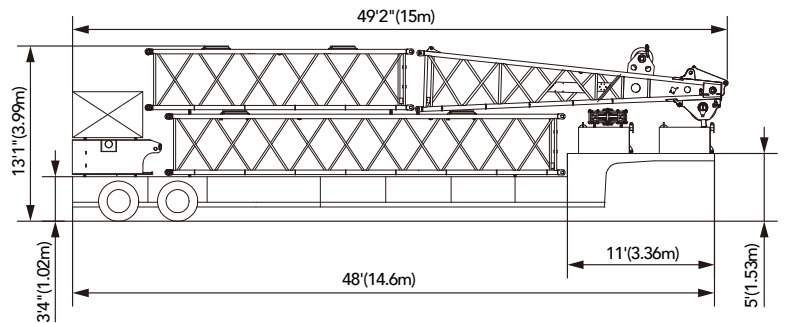
Note: Free fall each 2.8Klb (1.25t) 3rd winch 2.2Klb (1t)



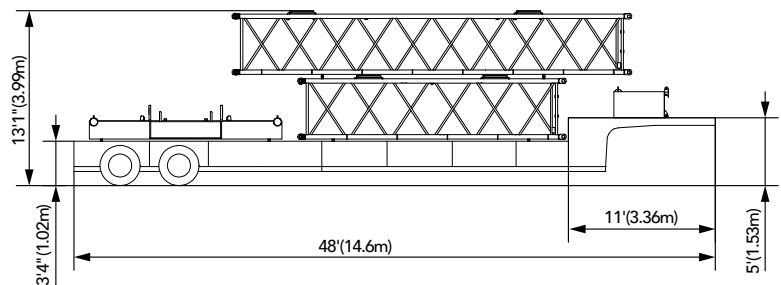
Trailer 2	
Part(s)	<ul style="list-style-type: none"> Carbody counterweight x1 Rear counterweight block x2 29.5 ft(9m) boom x2 220.5Klb(100t) hook x1 110.2Klb(50t) hook x1
Weight	<ul style="list-style-type: none"> 38.3Klb(17.3t)



Trailer 3	
Part(s)	<ul style="list-style-type: none"> Carbody counterweight x1 Rear counterweight block x2 29.5 ft(9m) boom x1 19.7 ft(6m) boom x1 Boom top x 1 55.1Klb(25t) hook x1 Spare parts box x1
Weight	<ul style="list-style-type: none"> 41.4Klb(18.7t)



Trailer 4	
Part(s)	<ul style="list-style-type: none"> Carbody counterweight tray x1 Rear counterweight block x2 29.5 ft(9m) boom x1 19.7 ft(6m) boom x1 9.8ft(3m) boom x1
Weight	<ul style="list-style-type: none"> 41.6Klb(18.8t)



Specifications are subject to change without prior notification.