

WHEEL LOADER

SW305K

STANDARD FEATURES

- ➔ Powerful Deutz Engine
- ➔ Z-Bar Linkage
- ➔ QC Plumbing for Quick Coupler
- ➔ Third Function Hydraulics
- ➔ EH Joystick
- ➔ Reversible Fan

163 hp

Net Power

3.2 yd³

Bucket Capacity

31,967 lbs

Operating Weight

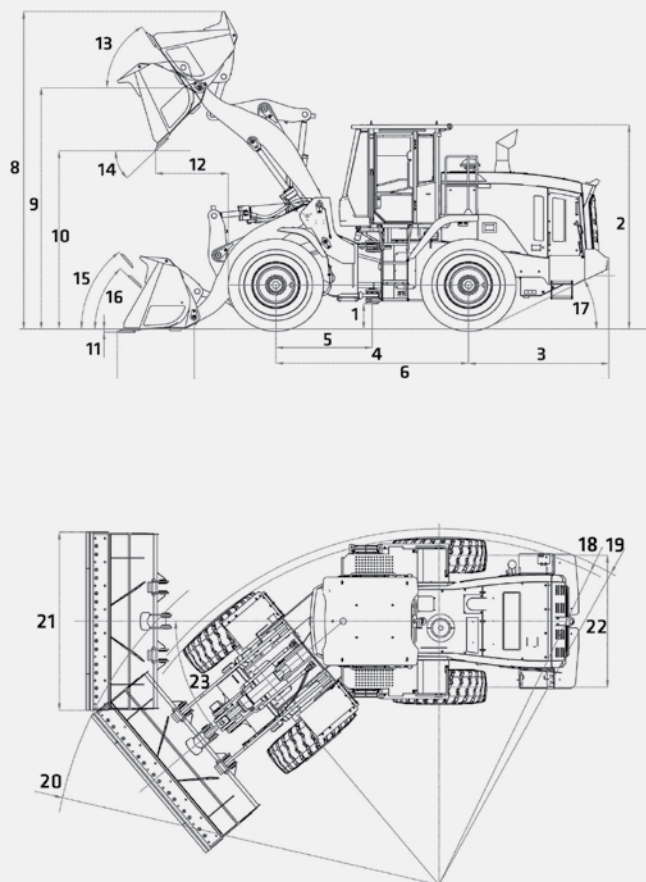
19,619 lbs

Straight Turn Tipping Load

17,006 lbs

Full-Turn Tipping Load

DIMENSIONS



DIMENSIONS

1	Ground Clearance	1' 4"	407 mm
2	Height to Top of Cab	11' 2"	3 405 mm
3	Center Line of Rear Axle to Edge of Counterweight	6' 3"	1 911 mm
4	Wheelbase	9' 10"	3 000 mm
5	Center Line of Front Axle to Center Pivot	4' 10"	1 480 mm
6	Shipping Length without Attachment	20' 5"	6 226 mm
7	Shipping Length with Bucket	24' 8"	7 518 mm
8	Max. Dump Height	17' 2"	5 226 mm
9	Hinge Pin Height at Max. Lift	12' 7"	3 845 mm
10	Dump Clearance at Max. Lift	8' 10"	2 689 mm
11	Dig Depth, Level Bucket	4.8"	122 mm
12	Reach at Max. Lift and 45° Discharge	3' 5"	1 038 mm
13	Roll Back at Max. Lift		61°
14	Dump Angle at Max. Lift and Dump		45°
15	Roll Back at Carry Height		49°
16	Roll Back at Ground		42°
17	Tail Angle to the Rear Wheel		28°
18	Clearance Circle to Outside of Tires	17' 8"	5 382 mm
19	Clearance Circle to Counterweight	17' 7"	5 365 mm
20	Max. Circle	19' 7"	5 969 mm
21	Width	6' 9"	2 045 mm
22	Articulation Angle		+/-40°

In the interest of continual equipment development, SANY America Inc. reserves the right to change these specifications at any time without prior notification. ©2023 SANY America Inc. WL0P5235W305K001



STANDARD AND OPTIONAL EQUIPMENT

s = standard / o = optional

SW305 ENGINE	
s	Tier IV Final certified
s	Keyless start
s	Engine emergency stop (in cab)
s	Power and economy mode
s	Engine preheater
s	Automatic hydraulic reversible fan
s	Dual element air filter
POWER TRAIN	
s	Gear selector lever (steering-column)
s	Fully automatic shifting 4F - 3R
s	Automatic transmission kick down
s	Clutch-cutoff
s	Service brake, 4-wheel, wet-type, hydraulic brake
s	Parking brake, electronically controlled, hydraulic caliper disc brake
s	Differential lock front axle (manual)
HYDRAULIC	
s	Quick coupler
s	Quick coupler plumbing
s	Full variable load-sensing system with steering priority
s	Single-lever EH joystick with FNR+KD+horn+3rd function proportional control with detent
s	Dual brake pedals
s	3rd function valve
s	Hydraulic quick coupler lines
s	Ride control system
s	Bucket kick-out
s	Bucket level indicator
s	Real time bucket height read out via display
s	Bucket self-leveling and return to dig

In the interest of continual equipment development, SANY America Inc. reserves the right to change these specifications at any time without prior notification. ©2023 SANY America Inc. WLOP523SW305K001



STANDARD AND OPTIONAL EQUIPMENT

s = standard / o = optional

SW305 CABIN	
s	Cab with ROPS / FOPS certification
s	Emergency hammer
s	Rear mirrors, outside heated(2), inside(1)
s	Sun visor, front window
s	Air-suspension seat (cloth, heated)
s	Seat Belt, 2" retractable
s	Armrest adjustable in multiple directions
s	360° view camera with dedicated monitor
s	7" smart color display
s	Rear window defrost
s	Auto air conditioner
ELECTRICITY	
s	Battery disconnect switch
s	24V system, 2 x 12V batteries 120Ah
s	Converter kit with 12V auxiliary power outlet
s	AM/FM Bluetooth® radio with USB port
s	Back up alarm
s	Travel acoustic alarm
s	Travel strobe light alarm
s	Cab mounted LED work light package (dual front & rear)
s	Dual maintenance free batteries rated @ 950 cca
s	Alternator 120 Amp
s	12V cab converter
OTHER	
s	Tires: 20:5R25 L3 Radial (3 piece rim)
s	3.2 yd bucket
s	Front and rear steel fenders
s	Liftarm locking bar
s	Articulation locking bar
s	Drawbar hitch

In the interest of continual equipment development, SANY America Inc. reserves the right to change these specifications at any time without prior notification. ©2023 SANY America Inc. WLOPS23SW305K001

PRODUCT SPECIFICATIONS WHEEL LOADER ||| SW305K

MACHINE PARAMETERS

WEIGHT

Operating Weight	31,967 lbs	14 500 kg
------------------	------------	-----------

ENGINE

Deutz TCD6.1

Max Gross Power	181 hp	135 kW
Net Engine Power	163 hp	122 kW
Max Gross Torque	649 lbs ft	880 Nm
Displacement	372 in ³	6.1 L

OPERATING

Bucket Capacity	3.2 yd ³	2.3 m ³
Breakout Force	27,652 lbf	123 kN
Tipping Load Straight	19,619 lbs	8 899 kg
Tipping Load @ Full Turn	17,006 lbs	7 714 kg
Clearance (full lift 45° dump)	8' 10"	2 689 mm
Reach (full lift 45° dump)	3' 5"	1 038 mm

HYDRAULIC SYSTEM

Max Flow	58 GP	220 LPM
Max Pressure	3,916 PSI	

HYDRAULIC CYCLE TIMES

Raise	5.6 sec
Dump	1.6 sec
Float Down	3.2 sec
Total Cycle Time	10.4 sec

SERVICE CAPACITIES

Fuel Tank	60 gal	227 L
Cooling System	8.7 gal	33 L
Engine Crankcase	4.1 gal	15.5 L
Transmission	14.5 gal	55 L
Front Axle	9.2 gal	34.8 L
Rear Axle	9.2 gal	34.8 L
Hydraulic Tank	34 gal	128.7 L
DEF Tank	2.6 gal	10 L

TRANSMISSION

Shift Modes	Automatic, Manual, Kick Down
Forward Gear 1-4	4-25 mph
Reverse Gear 1-3	4-17 mph

POWER TRAIN

Front Axle	Fixed
Traction Aid	Manual Differential Lock
Rear Axle	Oscillating
Traction Aid	Open Differential
Service Brakes	Wet Disc
Parking Brake	Disk Brake
Tires	20:5R25 L3 Radial



sanyamerica.com

SANY

SANY America Inc.
318 SANY Way
Peachtree City, Georgia 30269
470.552.SANY

©2023 SANY America Inc.



*Warranty applies to 2023 Excavator and Wheel Loader models only

In the interest of continual equipment development, SANY America Inc. reserves the right to change these specifications at any time without prior notification. ©2023 SANY America Inc. WLOP523SW305K001