

EXCAVATOR

SY265C LC

LONG REACH

STANDARD FEATURES

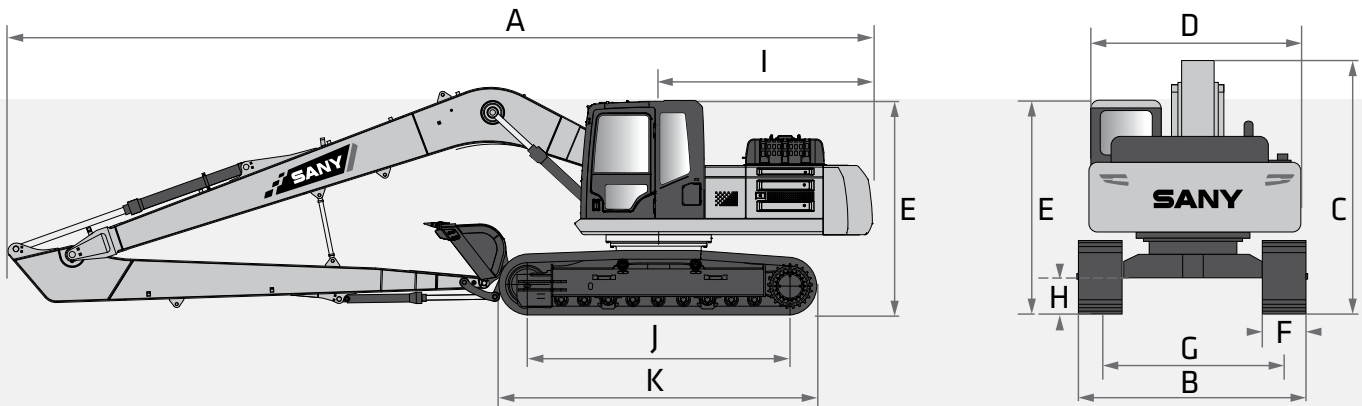
- ➔ Optimized counterweight
- ➔ Heavy-duty, long undercarriage
- ➔ 1-way and 2-way primary auxiliary and 2-way secondary auxiliary circuits
- ➔ Heated air ride seat
- ➔ Bright LED work light package and rear view camera
- ➔ Powerful Cummins Engine

190 hp
Gross Power

43' 8"
Dig Depth

69,446 lbs
Operating Weight

19,334 lbf
Bucket Breakout



TECHNICAL SPECIFICATIONS

TECHNICAL SPECIFICATIONS

Operating Weight	69,446 lbs	31 500 kg
Ground Pressure	6.7 psi	46.3 kPa
Engine	Cummins QSB 6.7 T4F	
Displacement	408.9 in ³	6.7 L
Gross Power	190.4 HP	142 kW
Hydraulics	Positive Flow Control with Pilot Control	
Main Hydraulic Pump	Axial Piston - Variable Displacement	
Operating Flow (maximum)	1374 gal/min	520.0 L/min
Operating Pressure (maximum)	4,975 psi	34.3 MPa
Power Boost Pressure (maximum)	5,410 psi	37.3 MPa
Travel Motor	Axial Piston with Park Brake	
Travel Pressure (maximum)	4,975 psi	34.3 MPa
Travel Speeds (maximum)	2.2 / 3.4 mph	3.5 / 5.5 km/hr
Travel Effort (maximum)	51,032 lbf	227.0 kN
Grade Capability (maximum)	35°	
Swing Motor	Axial Piston with Swing Brake	
Swing Pressure (maximum)	3,989 psi	27.5 MPa
Swing Speed (maximum)	10.6 RPM	
Undercarriage (standard)	Steel Track	
Track Shoe width (standard)	31"	800 mm
Track Rollers (per side)	9	
Carrier Rollers (per side)	2	

DIMENSIONS

DIMENSIONS

Boom Length	32' 2"	9 800 mm
Stick (Arm) Length	24' 7"	7 500 mm
A Transport Length	46' 2"	14 059 mm
B Transport Width	11' 1"	3 390 mm
C Transport Height	12'	3 665 mm
D Upper Structure Width	10'	3 045 mm
E Cab Height	10' 1"	3 080 mm
F Track Width (standard shoe)	31"	800 mm
G Track Gauge	8' 6"	2 590 mm
H Ground Clearance (minimum)	19"	467 mm
I Tail Swing Radius	10' 3"	3 119 mm
J Track Length on Ground	12' 7"	3 833 mm
K Track Length	15' 3"	4 636 mm

SERVICE REFILL CAPACITIES

Fuel Tank Capacity	122.8 gal	465.0 L
DEF Tank Capacity	10.0 gal	38.0 L
Hydraulic Tank Capacity	73.2 gal	277.0 L
Engine Oil Capacity	6.5 gal	24.7 L
Cooling System Capacity	10.6 gal	40.0 L



STANDARD AND OPTIONAL EQUIPMENT

s = standard / o = optional

SY265C LC	ENGINE
s	6.7l Cummins
s	Auto-idle
s	Dual-element dry air filter
s	Batteries 24V (2-12V)
s	Coolant expansion tank
s	Electronic engine control
s	Enclosed fan guard
s	Engine coolant to -37 deg. C (-34 deg. F)
s	Fuel filter with water separator
s	Full-flow oil filter
s	Turbocharger with charge air cooler
s	High-flow electric clutch actuated fan
s	500-hour engine-oil-change interval
s	70% (35 deg.) off-level capability
s	Engine air precleaner
s	Severe-duty fuel filter
HYDRAULIC SYSTEM	
s	Spring-applied, hydraulically released automatic swing brake
s	Auxiliary hydraulic-flow adjustments through monitor
s	Lift power boost on joystick
s	Control pattern change valve
s	Auxiliary hydraulics with 1- and 2-way combination piping for high flow
s	Auxiliary hydraulics with 2-way rotation piping and controls
s	Auxiliary pilot and electric controls
o	Quick coupler plumbing and control
UNDERCARRIAGE	
s	Planetary drive with axial piston motors
s	Propel motor shields
s	Spring-applied, hydraulically released automatic propel brake
s	Track guides, front idler and 2 additional per side
s	2-speed travel selection
s	Upper carrier rollers (2)
s	Sealed and lubricated track chain
s	Triple semi-grouser shoes, 800 mm (32")
s	Undercarriage frame opening guard
BOOM & STICK	
s	Boom 5.9 m (19' 4")
s	Stick, 2.9 m (9' 8")
UPPERSTRUCTURE	
s	Right-hand and left-hand mirrors
s	Vandal lock with ignition key: cab door /service door / toolbox / cab filter
s	Debris screen in side panel
s	Remote-mounted engine oil and fuel filters
s	Heavy duty triangle channel frame guard
ATTACHMENTS	
s	Convenient grease points
o	Centralized lubrication system

In the interest of continual equipment development, SANY America Inc. reserves the right to change these specifications at any time without prior notification.
 ©2023 SANY America Inc. HEXPS23SY265CLC001



*Warranty applies to 2023 Excavator and Wheel Loader models only.



STANDARD AND OPTIONAL EQUIPMENT

s = standard / o = optional

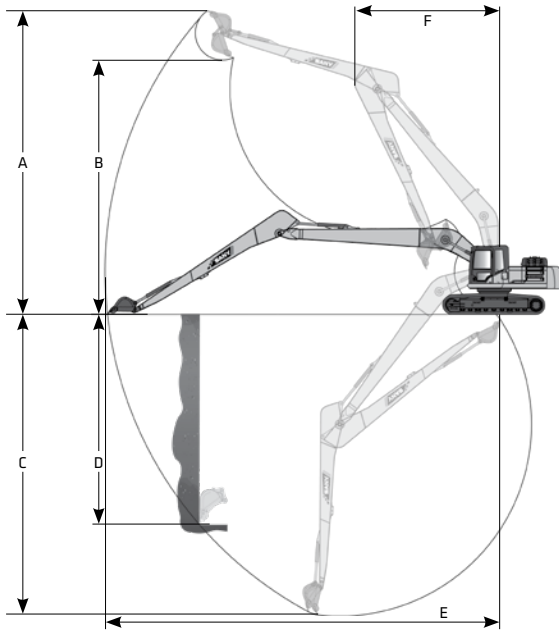
SY265C LC ATTACHMENTS (cont.)	
s	Dirt seals on all bucket pins
s	Oil-impregnated bushings
s	Reinforced resin thrust plates
o	Quick coupler
s	Buckets: heavy duty / heavy-duty high capacity / side cutter and teeth
OPERATOR'S STATION	
s	Adjustable independent-control positions (levers-to-seat, seat-to-pedals)
s	AM/FM radio with USB charging and Bluetooth connectivity
s	Auto climate control / air conditioner / heater / pressurizer
s	Built-in Operator's Manual storage compartment and manual
s	12 and 24V outlets 60 watt 5 amp
s	Deluxe heated air suspension cloth seat, with adjustable armrests
s	Heavy-duty rubber floor mat
s	Front windshield wiper with variable speeds
s	Illuminated Gauge: diesel exhaust fluid, engine coolant, and fuel levels
s	Horn, electric
s	Hour meter, electric
s	Hydraulic shutoff lever, all controls
s	Interior light
s	Large cup holder
s	Digital power mode selection: 3 power modes—low, standard, and high
s	Digital tool selection: bucket, shear, hammer, etc.
s	Multifunction color LCD monitor with: diagnostic capability / multiple-language / maintenance tracking / clock
s	System monitoring with alarm features: auto-idle indicator, engine air cleaner restriction indicator light, engine check, engine coolant temperature indicator light with audible alarm, engine oil pressure indicator light with audible alarm, low alternator charge indicator light, low-fuel indicator light, low DEF indication with audible alarm, fault code alert indicator, fuel-rate display, wiper-mode indicator, work-lights-on indicator, and work-mode indicator
s	Motion alarm with cancel switch (conforms to SAE J994)
s	Power-boost switch on right joystick
s	Auxiliary hydraulic control switches in right console lever
s	Seat belt, 2", non-retractable
s	Transparent overhead hatch
s	Heated or cooled food/beverage storage
s	Hydraulic oil filter restriction indicator light
s	Protection screens for cab front, rear, and side
ELECTRICAL	
s	60-amp alternator
s	Ground level electrical disconnect (lockout tag out)
s	Blade-type multi-fused circuits
s	Positive-terminal battery covers
s	Rearview camera
LIGHTS	
s	Work lights: High power LED—2 mounted on boom, 2 mounted on top of cab, 1 mounted under step on right side of machine

In the interest of continual equipment development, SANY America Inc. reserves the right to change these specifications at any time without prior notification.
 ©2023 SANY America Inc. HEXPS23SY265CLC001



PRODUCT SPECIFICATIONS EXCAVATOR III SY265C LC

WORKING RANGE



WORKING RANGE

Boom Length	32' 2"	9 800 mm
Stick (Arm) Length	24' 7"	7 500 mm
A Maximum Digging Height	48' 7"	14 817 mm
B Maximum Dumping Height	41' 1"	12 512 mm
C Maximum Digging Depth	43' 8"	13 306 mm
D Maximum Vertical Wall Digging Depth	41' 10"	12 743 mm
E Maximum Reach at Ground Level	57' 9"	17 608 mm
F Minimum Swing Radius	18' 8"	5 682 mm

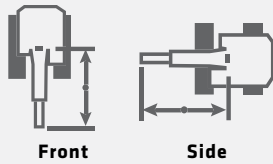
DIGGING PERFORMANCE

Boom Length	32' 2"	9 800 mm
Stick (Arm) Length	24' 7"	7 500 mm
Bucket Breakout Force (ISO)	19,334 lbf	86.0 kN
Stick (Arm) Digging Force (ISO)	14,410 lbf	64.1 kN

LIFTING PERFORMANCE

Standard 32' 2" (9 800 mm) Boom
 Standard 24' 7" (7 500 mm) Stick
 Standard 31" (800 mm) Track Shoes
 No Bucket

Ratings are based on ISO 10567:2007. Lift capacity does not exceed 75% of tipping load with the machine on firm, level ground or 87% of hydraulic lifting capacity.



In the interest of continual equipment development, SANY America Inc. reserves the right to change these specifications at any time without prior notification.

©2023 SANY America Inc. HEXPS23SY265CLC001

SANY America Inc. 318 SANY Way
 Peachtree City, Georgia 30269
 470.552.SANY sanyamerica.com

LOAD RADIUS	4.9 ft 1.5 m		9.8 ft 3.0 m		14.8 ft 4.5 m		19.7 ft 6.0 m		24.6 ft 7.5 m	
LOAD POINT HEIGHT										
9.8 ft 3.0 m			12,811 lb* 5 811 kg*	12,811 lb* 5 811 kg*					8,935 lb* 4 053 kg*	5,221 lb 2 368 kg
4.9 ft 1.5 m			4,795 lb* 2 175 kg*	4,795 lb* 2 175 kg*	16,378 lb* 7 429 kg*	7,846 lb 3 559 kg	13,349 lb* 6 055 kg*	5,595 lb 2 538 kg	10,375 lb* 4 706 kg*	4,059 lb 1 841 kg
0 ft 0 m			5,199 lb* 2 358 kg*	5,199 lb* 2 358 kg*	11,360 lb* 5 153 kg*	5,496 lb 2 493 kg	15,227 lb* 6 907 kg*	4,085 lb 1 853 kg	11,649 lb* 5 284 kg*	3,073 lb 1 394 kg
-4.9 ft -1.5 m	5,020 lb* 2 277 kg*	5,020 lb* 2 277 kg*	6,711 lb* 3 044 kg*	6,711 lb* 3 044 kg*	11,153 lb* 5 059 kg*	4,365 lb 1 980 kg	16,519 lb* 7 493 kg*	3,109 lb 1 410 kg	12,648 lb* 5 737 kg*	2,339 lb 1 061 kg
-9.8 ft -3.0 m	6,927 lb* 3 142 kg*	6,927 lb* 3 142 kg*	8,554 lb* 3 880 kg*	8,554 lb* 3 880 kg*	12,348 lb* 5 601 kg*	3,913 lb 1 775 kg	17,264 lb* 7 831 kg*	2,566 lb 1 164 kg	13,331 lb* 6 047 kg*	1,861 lb 844 kg
-14.8 ft -4.5 m	8,885 lb* 4 030 kg*	8,885 lb* 4 030 kg*	10,613 lb* 4 814 kg*	8,547 lb 3 877 kg	14,240 lb* 6 459 kg*	3,836 lb 1 740 kg	17,540 lb* 7 956 kg*	2,332 lb 1 058kg	13,693 lb* 6 211 kg*	1,601 lb 726 kg
-19.7 ft -6.0 m	10,957 lb* 4 970 kg*	10,957 lb* 4 970 kg*	12,901 lb* 5 852 kg*	9,169 lb 4 159 kg	16,671 lb* 7 562 kg*	4,008 lb 1 818 kg	17,394 lb* 7 890 kg*	2,321 lb 1 053 kg	13,733 lb* 6 229 kg*	1,519 lb 689 kg
-24.6 ft -7.5 m	13,210 lb* 5 992 kg*	13,210 lb* 5 992 kg*	15,492 lb* 7 027 kg*	10,055 lb 4 561 kg	19,687 lb* 8 930 kg*	4,383 lb 1 988 kg	16,821 lb* 7 630 kg*	2,489 lb 1 129 kg	13,420 lb* 6 087 kg*	1,592 lb 722 kg
-29.5 ft -9.0 m	15,715 lb* 7 128 kg*	15,715 lb* 7 128 kg*	18,503 lb* 8 393 kg*	11,241 lb 5 099 kg	20,421 lb* 9 263 kg*	4,956 lb 2 248 kg	15,745 lb* 7 142 kg*	2,826 lb 1 282 kg	12,679 lb* 5 751 kg*	1,814 lb 823 kg
-34.4 ft -10.5 m			22,141 lb* 10 043 kg*	12,809 lb 5 810 kg	17,873 lb* 8 107 kg*	5,763 lb 2 614 kg	13,993 lb* 6 347 kg*	3,353 lb 1 521 kg	11,336 lb* 5 142 kg*	2,207 lb 1 001 kg
-39.4 ft -12.0 m					15,009 lb* 6 808 kg*	2,441 lb 1 107 kg	11,863 lb* 5 381 kg*	1,561 lb 708 kg	8,971 lb* 4 069 kg*	2,846 lb 1 291 kg
LOAD RADIUS	29.5 ft 9.0m		34.4 ft 10.5 m		39.4 ft 12.0 m		44.3 ft 13.5 m		MAX REACH	
LOAD POINT HEIGHT										
34.4 ft 10.5 m							3,869 lb* 1 755 kg*	2,019 lb 916 kg		
29.5 ft 9.0 m							4,815 lb* 2 184 kg*	2,011 lb 912 kg		
24.6 ft 7.5 m							4,936 lb* 2 239 kg*	1,907 lb 865 kg	3,854 lb* 1 748 kg*	1,171 lb 531 kg
19.7 ft 6.0 m					5,324 lb* 2 415 kg*	2,555 lb 1 159 kg	5,152 lb* 2 337 kg*	1,735 lb 787 kg	4,709 lb* 2 136 kg*	1,080 lb 490 kg
14.8 ft 4.5 m			6,142 lb* 2 786 kg*	3,175 lb 1 440 kg	5,734 lb* 2 601 kg*	2,235 lb 1 014 kg	5,437 lb* 2 466 kg*	1,519 lb 689 kg	5,236 lb* 2 375 kg*	944 lb 428 kg
9.8 ft 3.0 m	7,650 lb* 3 470 kg*	3,719 lb 1 687 kg	6,797 lb* 3 083 kg*	2,665 lb 1 209 kg	6,197 lb* 2 811 kg*	1,883 lb 854 kg	5,765 lb* 2 615 kg*	1,274 lb 578 kg	5,459 lb* 2 476 kg*	783 lb 355 kg
4.9 ft 1.5 m	8,613 lb* 3 907 kg*	2,967 lb 1 346 kg	7,469 lb* 3 388 kg*	2,154 lb 977 kg	6,680 lb* 3 030 kg*	1,526 lb 692 kg	6,113 lb* 2 773 kg*	1,025 lb 465 kg	5,701 lb* 2 586 kg*	615 lb 279 kg
0 ft 0 m	9,506 lb* 4 312 kg*	2,297 lb 1 042 kg	8,111 lb* 3 679 kg*	1,684 lb 764 kg	7,147 lb* 3 242 kg*	1,193 lb 541 kg	6,453 lb* 2 927 kg*	791 lb 359 kg	5,939 lb* 2 694 kg*	459 lb 208 kg
-4.9 ft -1.5 m	10,256 lb* 4 652 kg*	1,759 lb 798 kg	8,671 lb* 3 933 kg*	1,294 lb 587 kg	7,564 lb* 3 431 kg*	911 lb 413 kg	6,757 lb* 2 065 kg*	591 lb 268 kg	6,142 lb* 2 786 kg*	324 lb 147 kg
-9.8 ft -3.0 m	10,814 lb* 4 905 kg*	1,378 lb 625 kg	9,107 lb* 4 131 kg*	1,001 lb 454 kg	7,893 lb* 3 580 kg*	692 lb 314 kg	6,989 lb* 3 170 kg*	439 lb 199 kg	6,277 lb* 2 847 kg*	234 lb 106 kg
-14.8 ft -4.5 m	11,155 lb* 5 060 kg*	1,144 lb 519 kg	9,387 lb* 4 258 kg*	811 lb 368 kg	8,100 lb* 3 674 kg*	553 lb 251 kg	7,112 lb* 3 226 kg*	348 lb 158 kg	4,985 lb* 2 261 kg*	201 lb 91 kg
-19.7 ft -6.0 m	11,248 lb* 5 102 kg*	1,047 lb 475 kg	9,471 lb* 4 296 kg*	730 lb 331 kg	8,135 lb* 3 690 kg*	500 lb 227 kg	7,061 lb* 3 203 kg*	337 lb 153 kg		
-24.6 ft -7.5 m	11,050 lb* 5 012 kg*	1,082 lb 491 kg	9,299 lb* 4 218 kg*	758 lb 344 kg	7,923 lb* 3 594 kg*	547 lb 248 kg				
-29.5 ft -9.0 m	10,470 lb 4 749 kg*	1,250 lb 567kg	8,757 lb* 3 972 kg*	913 lb 414 kg	7,277lb* 3 301 kg*	732 lb 332 kg				
-34.4 ft -10.5 m	9306 lb* 4 221 kg*	1,583 lb 718 kg	7,544 lb* 3 422 kg*	1,252 lb 568 kg						

* Indicates load limited by hydraulic lifting capacity.