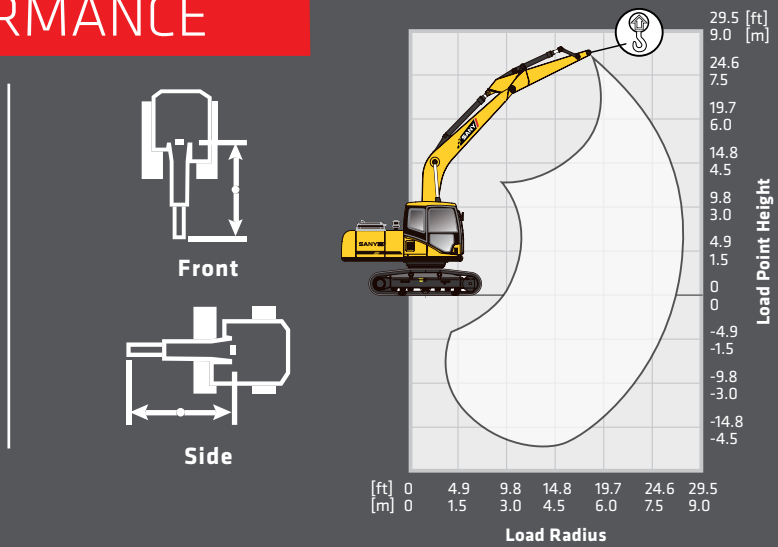


SY225C LIFTING PERFORMANCE

Standard 18' 8" (5 700 mm) Boom
 Standard 9' 7" (2 925 mm) Arm
 Standard 31" (800 mm) Track Shoes
 No Bucket

Ratings are based on ISO 10567:2007. Lift capacity does not exceed 75% of tipping load with the machine on firm, level ground or 87% of hydraulic lifting capacity.



LOAD RADIUS	4.9 ft 1.5 m		9.8 ft 3.0 m		14.8 ft 4.5 m		19.7 ft 6.0 m		24.6 ft 7.5 m		MAX REACH	
LOAD POINT HEIGHT												
24.6 ft 7.5 m							9,407 lb* 4267 kg*	9,407 lb* 4267 kg*			10,463 lb* 4746 kg*	10,463 lb* 4746 kg*
19.7 ft 6.0 m							10,179 lb* 4617 kg*	10,179 lb* 4617 kg*			10,617 lb* 4816 kg*	10,088 lb 4576 kg
14.8 ft 4.5 m							11,374 lb* 5159 kg*	11,374 lb* 5159 kg*	10,882 lb* 4936 kg*	9,535 lb 4325kg	10,933 lb* 4959 kg*	8,726 lb 3958 kg
9.8 ft 3.0 m					16,718 lb* 7583 kg*	16,718 lb* 7583 kg*	13,245 lb* 6008 kg*	12,712 lb 5766 kg	11,707 lb* 5310 kg*	9,308 lb 4222 kg	11,365 lb* 5155 kg*	8726 lb 3958 kg
4.9 ft 1.5 m					20,477 lb* 9288 kg*	17,906 lb 8122kg	15,196 lb* 6893 kg*	12,183 lb 5526 kg	12,705 lb* 5763 kg*	9,050 lb 4105 kg	11,629 lb 5275 kg	7,818 lb 3546 kg
0 ft 0 m			15,126 lb* 6861 kg*	15,126 lb* 6861 kg*	22,677 lb* 10286 kg*	17,297 lb 7846 kg	16,654 lb* 7554 kg*	11,806 lb 5338 kg	13,316 lb 6040 kg	8,854 lb 4016 kg	11,920 lb 5407 kg	7,972 lb 3616 kg
-4.9 ft -1.5 m	14,504 lb* 6579 kg*	14,504 lb* 6579 kg*	24,132 lb* 10946 kg*	24,132 lb* 10946 kg*	23,219 lb* 10532 kg*	17,114 lb 7763 kg	17,245 lb* 7822 kg*	11,640 lb 5280 kg	13,250 lb 6010 kg	8,764 lb 3989 kg	11,413 lb 5177 kg	8,613 lb 3907 kg
-9.8 ft -3.0 m	23,160 lb* 10505 kg*	23,160 lb 10505 kg	31,713 lb* 14385 kg*	31,713 lb* 14385 kg*	22,174 lb* 10058 kg*	17,238 lb 7819 kg	16,543 lb* 7504 kg*	11,713 lb 5313 kg			14,268 lb* 6472 kg*	10,124 lb 4592 kg
-14.8 ft -4.5 m			26,358 lb* 11956 kg*	26,358 lb* 11956 kg*	18,682 lb* 8474 kg*	17,708 lb 8032 kg					15,278 lb* 6930 kg*	14,107 lb 6399 kg

* Indicates load limited by hydraulic lifting capacity
 In the interest of continual equipment development, SANY America Inc. reserves the right to change these specifications at any time without prior notification.

SY225C

PRODUCT SPECIFICATIONS



STANDARD FEATURES

- Extended Track-to-Surface Length of 12' 7"
- Reinforced Undercarriage and Heavier Counterweight
- Quick Coupler Plumbing and Controls
- Powerful Cummins Engine

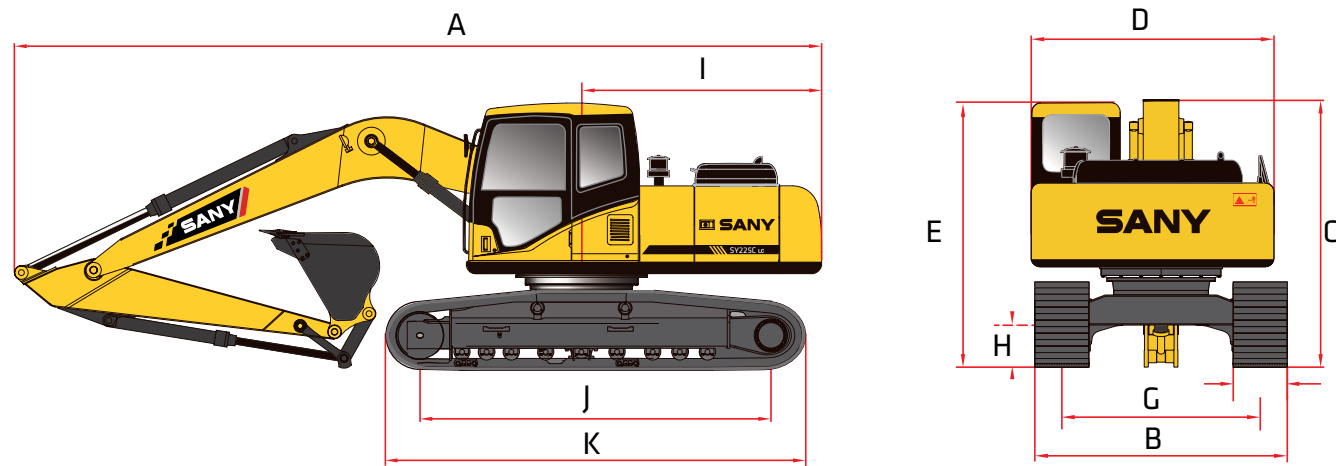
Gross Power
163.6 hp

Dig Depth
21' 8"

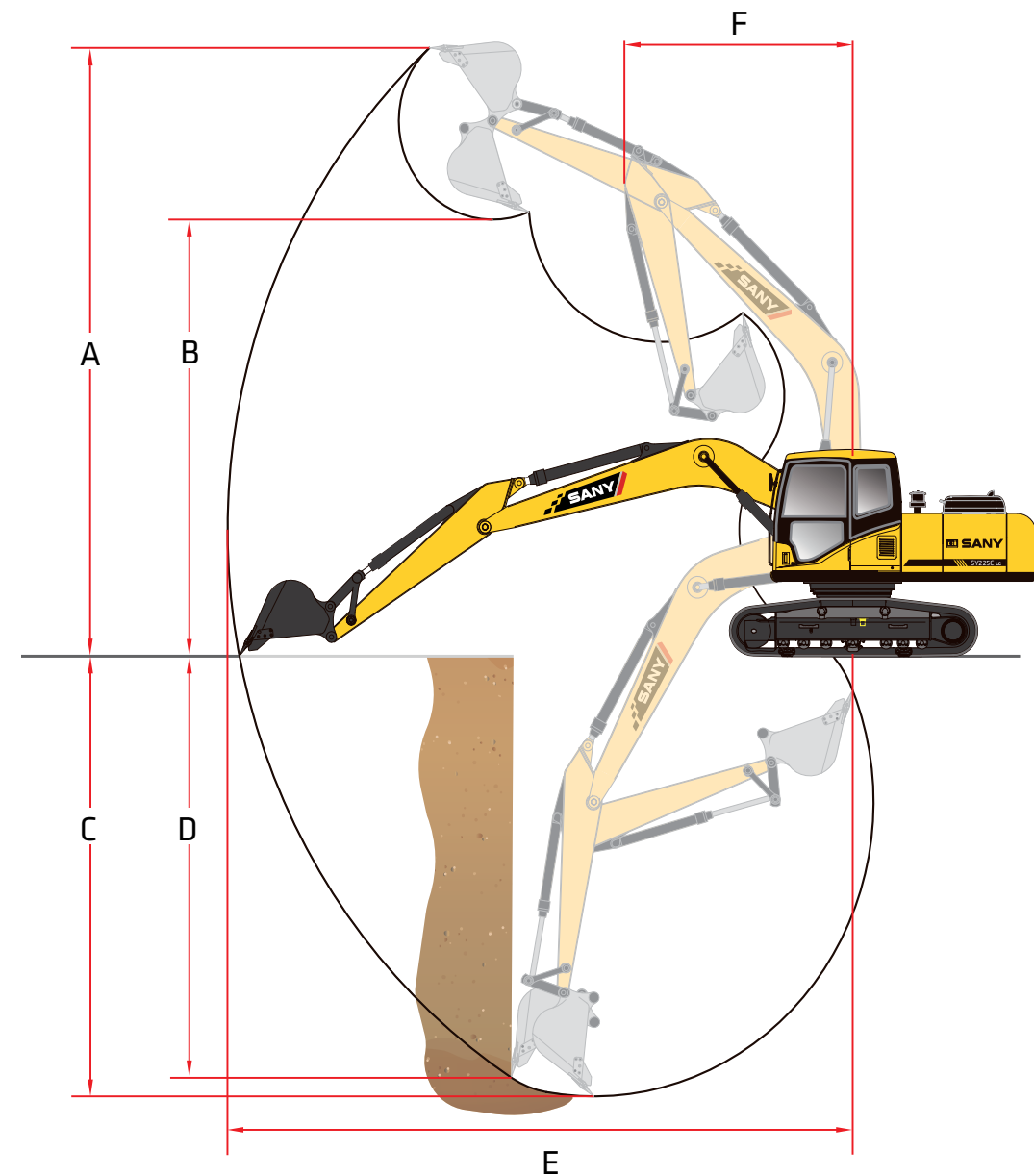
Operating Weight
54,013 lb

Bucket Breakout
28,551 lbf

DIMENSIONS



WORKING RANGE



Class leading power, productivity, and stability

TECHNICAL SPECIFICATIONS

Operating Weight	54,013 lb	24 500 kg
Ground Pressure	5.2 psi	36.1 kPa
Engine	Cummins QSB6.7	
Displacement	408.9 in ³	6.7 L
Gross Power	163.6 HP	122 kW
Hydraulics	Positive Flow with Pilot Control	
Main Hydraulic Pump	Axial Piston - Variable Displacement	
Operating Flow (maximum)	117.3 gal/min	444.0 L/min
Operating Pressure (maximum)	4,975 psi	34.3 MPa
Power Boost Pressure (maximum)	5,410 psi	37.3 MPa
Travel Motor	Axial Piston with Park Brake	
Travel Pressure (maximum)	4,975 psi	34.3 MPa
Travel Speeds (maximum)	2.1 / 3.2 mph	3.3 / 5.1 km/hr
Travel Effort (maximum)	40,466 lbf	180.0 kN
Grade Capability (maximum)	35°	
Swing Motor	Axial Piston with Swing Brake	
Swing Pressure (maximum)	3,989 psi	28.0 MPa
Swing Speed (maximum)	10.9 RPM	
Undercarriage (standard)	Steel Track	
Track Shoe width (standard)	31"	800 mm
Track Rollers (per side)	9	
Carrier Rollers (per side)	2	

DIMENSIONS

Boom Length	18' 8"	5 700 mm
Stick (Arm) Length	9' 7"	2 925 mm
A Transport Length	31' 11"	9 728 mm
B Transport Width	11' 1"	3 390 mm
C Transport Height	11' 1"	3 370 mm
D Upper Structure Width	8' 11"	2 710 mm
E Cab Height	10' 0"	3 050 mm
F Track Width (standard shoe)	31"	800 mm
G Track Gauge	8' 6"	2 590 mm
H Ground Clearance (minimum)	19"	480 mm
I Tail Swing Radius	9' 6"	2 890 mm
J Track Length on Ground	12' 7"	3 830 mm
K Track Length	15' 3"	4 636 mm

SERVICE REFILL CAPACITIES

Fuel Tank Capacity	89.5 gal	340.0 L
DEF Tank Capacity	5.0 gal	19.0 L
Hydraulic Tank Capacity	60.5 gal	230.0 L
Engine Oil Capacity	7.1 gal	27.0 L
Cooling System Capacity	7.3 gal	27.6 L

WORKING RANGE

Boom Length	18' 8"	5 700 mm
Stick (Arm) Length	9' 7"	2 925 mm
A Maximum Digging Height	30' 1"	9 180 mm
B Maximum Dumping Height	21' 11"	6 670 mm
C Maximum Digging Depth	21' 10"	6 655 mm
D Maximum Vertical Wall Digging Depth	19' 7"	5 980 mm
E Maximum Reach at Ground Level	33' 10"	10 307 mm
F Minimum Swing Radius	12' 3"	3 730 mm

DIGGING PERFORMANCE

Boom Length	18' 8"	5 700 mm
Stick (Arm) Length	9' 7"	2 925 mm
Bucket Breakout Force (ISO)	28,551 lbf	127.0 kN
Stick (Arm) Digging Force (ISO)	23,155 lbf	103.0 kN