

SSR120C-8

PRODUCT SPECIFICATIONS

SANY



STANDARD FEATURES

- Steering wheel control for simple and easy operation
- Cummings Powered for dependable performance
- Clear lines of sight, back up camera and air suspension seat offer operator comfort and job site safety
- Smooth drum standard pad foot shell kit available

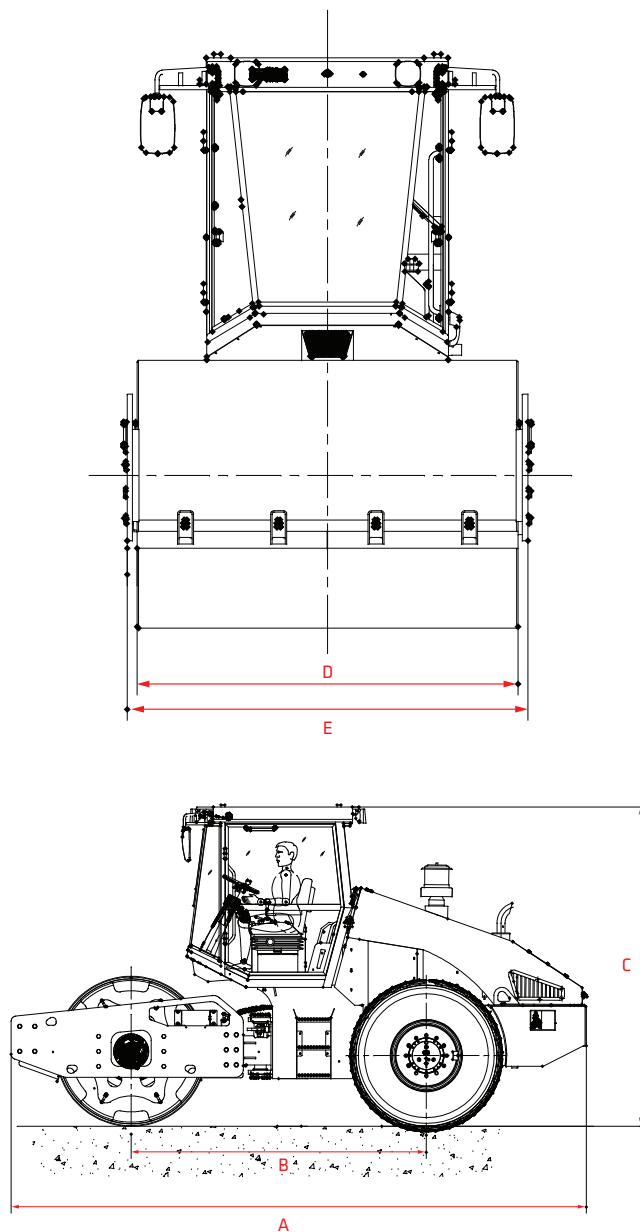
Net Power
145 hp / 109 kW

Operating Weight
25,529 lb / 11,579 kg

Drum Width
84 in / 2 130 mm

PRODUCT SPECIFICATIONS

SANY SSR120C-8



OVERALL DIMENSIONS

	STANDARD	METRIC
A Overall Length	18' 10"	5 750 mm
B Wheelbase	9' 8"	2 950 mm
C Height	10' 6"	3 190 mm
D Drum Width	7'	2 130 mm
E Overall Width	7' 4"	2 240 mm

In the interest of continual equipment development, SANY America Inc. reserves the right to change these specifications at any time without prior notification.

Machine Parameters

Engine

Engine Model	Cummins QSB4.5	
Rated Power	145 hp	109 kw

Operating

Overall Length	18' 10"	5 750 mm
Height	10' 6"	3 190 mm
Overall Width	7' 4"	2 240 mm
Operating Weight	26,455 lb	12 000 kg
Weight at Drum	15,432 lb	7 000 kg
Weight at Rear Axle	11,023 lb	5 000 kg
Drum Static Linear Load	188 lbs/in	329 N/cm
Vibration Frequency	32/36 HZ	
Nominal Amplitude	0.071/0.035 in	1.8/0.9 mm
Excitation Force	61,729/39,242 lbf	280/178 kN
Drum Diameter	59 in	1 500 mm
Drum Width	84 in	2 130 mm
Drum Edge Thickness	1 in	25 mm
Travel Speed	0~5.1/0~6.3 mph	0~8.2/0~10.1 km/h
Travel Speed with Compactor Engaged	0~3.9/0~4.5 mph	0~6.2/0~7.3 km/h
Gradeability	51%	
Ground Clearance	18.9 in	480 mm
Wheelbase	116.1 in	2 950 mm
Steering Angle	±35°	
Swing Angle	±12°	
Min. Turning Outside Diameter	456.7 in	11 600 mm
Tires	23.1-26 8PR	

Capacity

Fuel Tank	52.8 gal	200 L
Hydraulic Oil Tank	31.7 gal	120 L