

# SSR120C-8

## PRODUCT SPECIFICATIONS



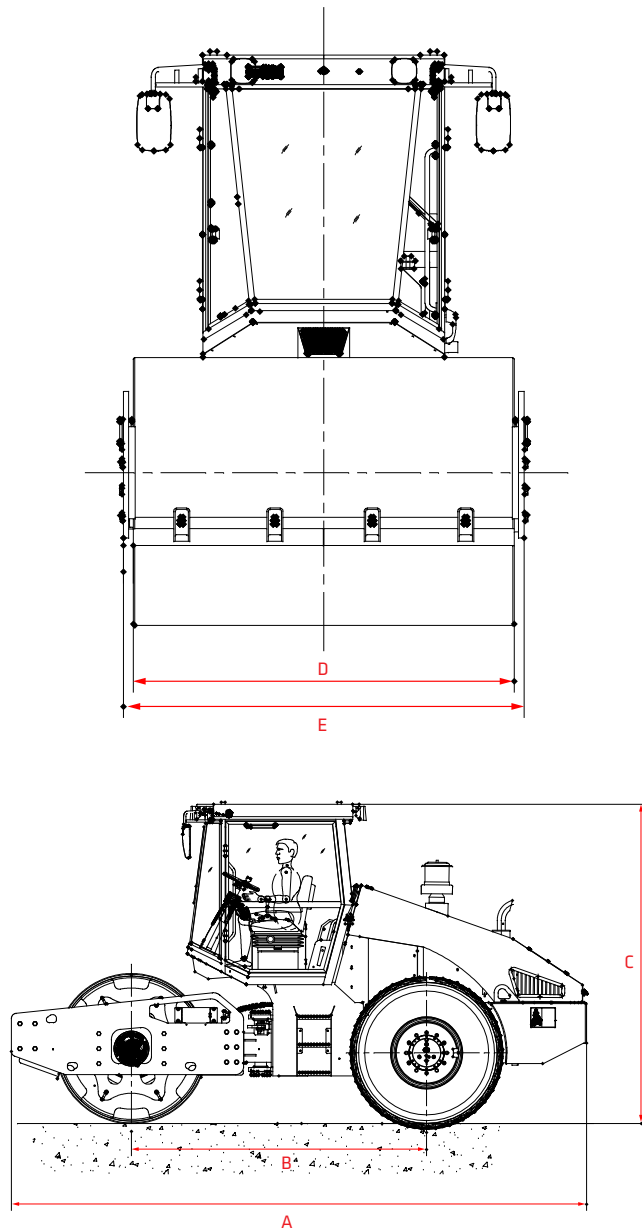
### STANDARD FEATURES

- Steering wheel control for simple and easy operation
- Clear lines of sight, back up camera and air suspension seat offer operator comfort and job site safety
- Cummings Powered for dependable performance
- Smooth drum standard pad foot shell kit available

- ➔ **Net Power**  
119 kW / 162 hp
- ➔ **Operating Weight**  
12,000 kg / 26,455 lb
- ➔ **Drum Width**  
2130 mm / 84 in

# PRODUCT SPECIFICATIONS

## MODEL: **SSR120C-8** Single Drum Roller



## Machine Parameters

### Engine

Engine Model	Cummins QSB4.5	
Rated Power	162 hp	119 kw

### Operating

Overall Length	5,750 mm	18' 10"
Height	3,190 mm	10' 6"
Overall Width	2,240 mm	7' 4"
Operating Weight	12,000 kg	26,455 lb
Weight at Drum	7,000 kg	15,432 lb
Weight at Rear Axle	5,000 kg	11,023 lb
Drum Static Linear Load	329 N/cm	188 lbs/in
Vibration Frequency	32/36 HZ	
Nominal Amplitude	1.8/0.9 mm	0.071/0.035 in
Excitation Force	280/178 kN	61,729/39,242 lbf
Drum Diameter	1,500 mm	59 in
Drum Width	2,130 mm	84 in
Drum Edge Thickness	25 mm	1 in
Travel Speed	0-8.2/0-10.1 km/h 0-5.1/0-6.3 mph	
Travel Speed with Compactor Engaged	0-6.2/0-7.3 km/h 0-3.9/0-4.5 mph	
Gradeability	51%	
Ground Clearance	480 mm	18.9 in
Wheelbase	2,950 mm	116.1 in
Steering Angle	±35°	
Swing Angle	±12°	
Min. Turning Outside Diameter	11,600 mm	456.7 in
Tires	23.1-26 8PR	

### Capacity

Fuel Tank	200 L	52.8 gal
Hydraulic Oil Tank	120 L	31.7 gal

## OVERALL DIMENSIONS

	METRIC	STANDARD
A Overall Length	5750 mm	18' 10"
B Wheelbase	2950 mm	9' 8"
C Height	3190 mm	10' 6"
D Drum Width	2130 mm	7'
E Overall Width	2240 mm	7' 4"

In the interest of continual equipment development, SANY America, Inc. reserves the right to change these specifications at any time without prior notification.

**SANY America, Inc.**

318 Cooper Circle • Peachtree City, GA 30269 • T: 470-552-SANY • [sanyamerica.com](http://sanyamerica.com)



©2020 SANY America, Inc.