

WHEEL LOADER

SW405K

STANDARD FEATURES

- ➔ Powerful Deutz Engine
- ➔ Z-Bar Linkage
- ➔ QC Plumbing
- ➔ Third Function Hydraulics
- ➔ EH Joystick
- ➔ Reversible Fan

228 hp

Net Power

4.0 yd³

Bucket Capacity

40,786 lbs

Operating Weight

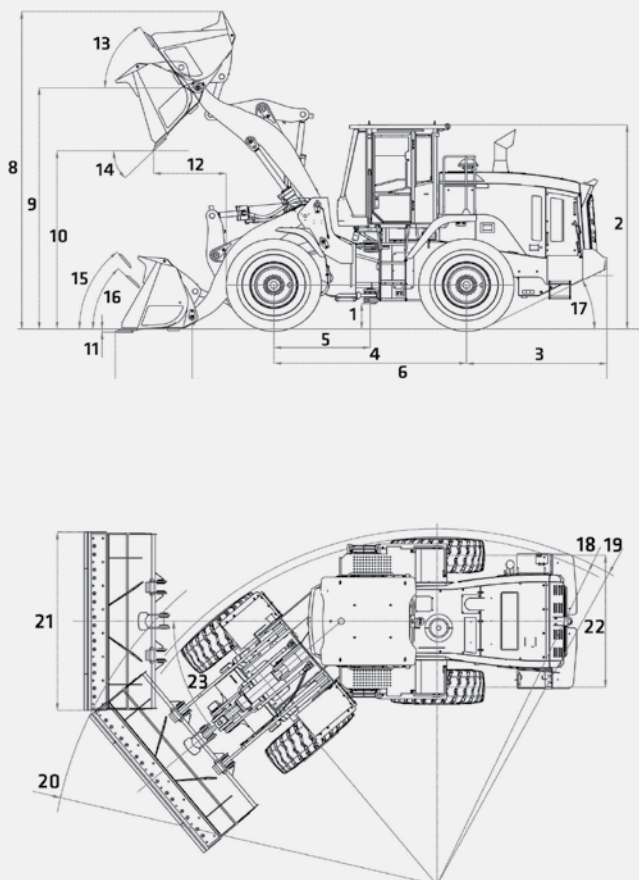
31,967 lbs

Straight Turn Tipping Load

28,881 lbs

Full-Turn Tipping Load

DIMENSIONS



DIMENSIONS

1	Ground Clearance	1' 5"	430 mm
2	Height to Top of Cab	11' 9"	3 580 mm
3	Center Line of Rear Axle to Edge of Counterweight	7' 8"	2 335 mm
4	Wheelbase	10' 6"	3 200 mm
5	Center Line of Front Axle to Center Pivot	5' 3"	1 600 mm
6	Shipping Length without Attachment	23' 1"	7040 mm
7	Shipping Length with Bucket	26' 10"	8 180 mm
8	Max. Dump Height	17' 9"	5 415 mm
9	Hinge Pin Height at Max. Lift	13' 7"	4 145 mm
10	Dump Clearance at Max. Lift	10' 2"	3 090 mm
11	Dig Depth, Level Bucket	1.2"	30 mm
12	Reach at Max. Lift and 45° Discharge	3' 11"	1 185 mm
13	Roll Back at Max. Lift		58°
14	Dump Angle at Max. Lift and Dump		45°
15	Roll Back at Carry Height		50°
16	Roll Back at Ground		45°
17	Tail Angle to the Rear Wheel		27°
18	Clearance Circle to Outside of Tires	18' 6"	5 635 mm
19	Clearance Circle to Counterweight	19' 5"	5 911 mm
20	Max. Circle	21' 3"	6 465 mm
21	Width	7' 3"	2 200 mm
22	Articulation Angle		+/- 40°

In the interest of continual equipment development, SANY America Inc. reserves the right to change these specifications at any time without prior notification. ©2023 SANY America Inc. WL0P5235W405K001



STANDARD AND OPTIONAL EQUIPMENT

s = standard / o = optional

SW405 ENGINE	
s	Tier IV Final certified
s	Keyless start
s	Engine emergency stop (in cab)
s	Power and economy mode
s	Cold Start Aid
s	Hydraulic-driven reversible fan
s	Dual element air filter
POWER TRAIN	
s	Gear selector lever (steering-column)
s	Fully automatic shifting 4F - 3R
s	Automatic transmission kick down
s	Clutch-cutoff
s	Service brake, 4-wheel, wet-type, hydraulic brake
s	Parking brake, electronically controlled, hydraulic caliper disc brake
s	Differential lock front axle (manual)
HYDRAULIC	
s	Full variable load-sensing system with steering priority
s	Single-lever EH joystick with FNR+KD+horn+3rd function proportional control
s	Dual brake pedals
s	3rd function valve
s	Hydraulic quick coupler lines
s	Ride control system
s	Bucket kick-out
s	Bucket level indicator
s	Real time bucket height read out via display
s	Bucket self-leveling and return to dig

In the interest of continual equipment development, SANY America Inc. reserves the right to change these specifications at any time without prior notification. ©2023 SANY America Inc. WLOP523SW405K001



STANDARD AND OPTIONAL EQUIPMENT

s = standard / o = optional

SW405 CABIN	
s	Cab with ROPS / FOPS certification
s	Emergency hammer
s	Rear mirrors, outside(2) with heated function, inside(1)
s	Sun visor, front window
s	Air-suspension seat (cloth, heated)
s	Seat belt, 2" retractable
s	Armrest adjustable in multiple directions
s	360° view camera with dedicated monitor
s	Rear view camera
s	7" smart color display
s	Auto air conditioner
s	Rear window defrost
ELECTRICITY	
s	Battery disconnect switch
s	24V system
s	Converter kit with 12V auxiliary power outlet
s	AM/FM Bluetooth® radio with USB port
s	Back up alarm
s	Travel acoustic alarm
s	Travel strobe light alarm
s	Cab mounted LED work light package (dual front and rear)
s	Dual maintenance free batteries rated @ 950 cca
s	120 Amp Alternator
OTHER	
s	Tires: 23:5R25 L3 Radial (3 piece rims)
s	Front and rear steel fenders
s	Articulation locking bar
s	Lift arm locking bar
s	Drawbar hitch

In the interest of continual equipment development, SANY America Inc. reserves the right to change these specifications at any time without prior notification. ©2023 SANY America Inc. WL0PS23SW405K001

PRODUCT SPECIFICATIONS WHEEL LOADER ||| SW405K

MACHINE PARAMETERS

WEIGHT

Operating Weight	40,786 lbs	18 500 kg
------------------	------------	-----------

ENGINE

Deutz TCD6.1

Max Gross Power	262 hp	195 kW
Net Engine Power	228 hp	170 kW
Max Gross Torque	965 lbs ft	1 308 Nm
Displacement	476 in ³	7.8 L

OPERATING

Bucket Capacity	4.0 yd ³	3.06 m ³
Breakout Force	40,466 lbf	180 kN
Tipping Load Straight	31,967 lbs	14 500 kg
Tipping Load @ Full Turn	28,881 lbs	13 100 kg
Clearance (full lift 45° dump)	10' 2"	3 100 mm
Reach (full lift 45° dump)	3' 11"	1 185 mm

HYDRAULIC SYSTEM

Max Flow	81 GP	306.6 LPM
Max Pressure	4,061 PSI	

HYDRAULIC CYCLE TIMES

Raise	5.4 sec
Dump	1.9 sec
Float Down	3.3 sec
Total Cycle Time	10.6 sec

SERVICE CAPACITIES

Fuel Tank	79.3 gal	300.6 L
Cooling System	11.4 gal	43 L
Engine Crankcase	6.1 gal	23 L
Transmission	9.2 gal	35 L
Front Axle	7.4 gal	28 L
Rear Axle	7.4 gal	28 L
Hydraulic Tank	76.6 gal	290 L
DEF Tank	5.3 gal	20 L

TRANSMISSION

Shift Modes	Automatic, Manual, Kick Down
Forward Gear 1-4	4-25 mph
Reverse Gear 1-3	4-16 mph

POWER TRAIN

Front Axle	Fixed
Traction Aid	Manual Differential Lock
Rear Axle	Oscillating
Traction Aid	Open Differential
Service Brakes	Wet Disc
Parking Brake	Disk Brake
Tires	23:5R25 L3 Radial



sanyamerica.com

SANY

SANY America Inc.
318 SANY Way
Peachtree City, Georgia 30269
470.552.SANY

©2023 SANY America Inc.



*Warranty applies to 2023 Excavator and Wheel Loader models only

In the interest of continual equipment development, SANY America Inc. reserves the right to change these specifications at any time without prior notification. ©2023 SANY America Inc. WLOP523SW405K001