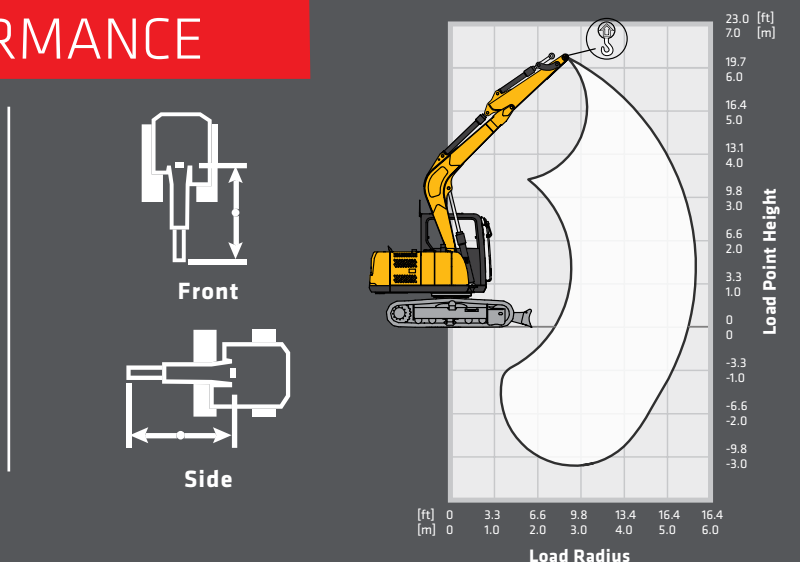


# SY95C LIFTING PERFORMANCE

Standard 13'1" (4 000 mm) Boom  
 Standard 6'7" (2 000 mm) Arm  
 Standard 18" (450 mm) Track Shoes  
 No Bucket

Ratings are based on ISO 10567:2007. Lift capacity does not exceed 75% of tipping load with the machine on firm, level ground or 87% of hydraulic lifting capacity.



BLADE DOWN										
LOAD RADIUS	6.6 ft 2.0 m		9.8 ft 3.0 m		13.1 ft 4.0 m		16.4 ft 5.0 m		MAX REACH	
LOAD POINT HEIGHT										
15.4 ft 5.0 m					4,850 lb* 2 200 kg*	4,409 lb 2 000 kg			4,960 lb* 2 250 kg*	4,409 lb 2 000 kg
13.1 ft 4.0 m			5,291 lb* 2 400 kg*	5,291 lb* 2 400 kg*	4,850 lb* 2 200 kg*	4,409 lb 2 000 kg			4,850 lb* 2 200 kg*	4,299 lb 1 950 kg
9.8 ft 3.0 m			6,393 lb* 2 900 kg*	6,393 lb* 2 900 kg*	5,401 lb* 2 450 kg*	4,299 lb 1 950 kg	4,960 lb* 2 250 kg*	2,976 lb 1 350 kg	4,850 lb* 2 200 kg*	3,417 lb 1 550 kg
6.6 ft 2.0 m			7,937 lb* 3 600 kg*	6,614 lb 3 000 kg	6,603 lb* 2 750 kg*	4,079 lb 1 850 kg	5,181 lb* 2 350 kg*	2,976 lb 1 350 kg	4,960 lb* 2 250 kg*	3,086 lb 1 400 kg
3.3 ft 1.0 m			9,039 lb* 4 100 kg*	6,173 lb 2 800 kg	6,724 lb* 3 050 kg*	3,858 lb 1 750 kg	5,512 lb* 2 500 kg*	2,866 lb 1 300 kg	5,070 lb* 2 300 kg*	2,866 lb 1 300 kg
0 m 0 ft			9,480 lb* 4 300 kg*	6,063 lb 2 750 kg	7,055 lb* 3 200 kg*	3,748 lb 1 700 kg	5,622 lb* 2 550 kg*	2,756 lb 1 250 kg	5,291 lb* 2 400 kg*	2,976 lb 1 350 kg
-3.3 ft -1.0 m	12,787 lb* 5 800 kg*	12,015 lb 5 450 kg	9,149 lb* 4 150 kg*	5,952 lb 2 700 kg	7,055 lb* 3 200 kg*	3,638 lb 1 650 kg			5,401 lb* 2 450 kg*	3,417 lb 1 550 kg
-6.6 ft -2.0 m	11,244 lb* 5 100 kg*	11,244 lb* 5 100 kg*	8,157 lb* 3 700 kg*	6,063 lb 2 750 kg	6,173 lb* 2 800 kg*	3,748 lb 1 700 kg			5,511 lb* 2 500 kg*	4,519 lb 2 050 kg
-9.8 ft -3.0 m	8,378 lb* 3 800 kg*	8,378 lb* 3 800 kg*	5,842 lb* 2 650 kg*	5,842 lb* 2 650 kg*					5,952 lb* 2 700 kg*	5,732 lb 2 600 kg

BLADE UP										
LOAD RADIUS	6.6 ft 2.0 m		9.8 ft 3.0 m		13.1 ft 4.0 m		16.4 ft 5.0 m		MAX REACH	
LOAD POINT HEIGHT										
15.4 ft 5.0 m					4,850 lb* 2 200 kg*	4,409 lb 2 000 kg			4,519 lb 2 050 kg	4,409 lb 2 000 kg
13.1 ft 4.0 m			5,291 lb* 2 400 kg*	5,291 lb* 2 400 kg*	4,850 lb* 2 200 kg*	4,409 lb 2 000 kg			4,409 lb 2 000 kg	4,299 lb 1 950 kg
9.8 ft 3.0 m			6,614 lb* 3 000 kg*	6,614 lb* 3 000 kg*	5,401 lb* 2 450 kg*	4,189 lb 1 900 kg	4,960 lb* 2 250 kg*	2,976 lb 1 350 kg	3,257 lb 1 600 kg	3,417 lb 1 550 kg
6.6 ft 2.0 m			7,937 lb* 3 600 kg*	6,173 lb 2 800 kg	6,603 lb* 2 750 kg*	3,968 lb 1 800 kg	5,181 lb* 2 350 kg*	2,866 lb 1 300 kg	3,086 lb 1 400 kg	3,086 lb 1 400 kg
3.3 ft 1.0 m			9,039 lb* 4 100 kg*	5,732 lb 2 600 kg	6,724 lb* 3 050 kg*	3,858 lb 1 750 kg	5,512 lb* 2 500 kg*	2,756 lb 1 250 kg	2,976 lb 1 350 kg	2,866 lb 1 300 kg
0 ft 0 b			9,480 lb* 4 300 kg*	5,512 lb 2 500 kg	7,055 lb* 3 200 kg*	3,858 lb 1 650 kg	5,622 lb* 2 550 kg*	2,646 lb 1 200 kg	3,086 lb 1 400 kg	2,976 lb 1 350 kg
-3.3 ft -1.0 m	12,787 lb* 5 800 kg*	11,464 lb 5 200 kg	9,149 lb* 4 150 kg*	5,512 lb 2 500 kg	6,945 lb* 3 150 kg*	3,638 lb 1 650 kg			3,257 lb 1 600 kg	3,417 lb 1 550 kg
-6.6 ft -2.0 m	11,244 lb* 5 100 kg*	11,244 lb* 5 100 kg*	8,157 lb* 3 700 kg*	5,512 lb 2 500 kg	6,063 lb* 2 750 kg*	3,638 lb 1 650 kg			4,269 lb 2 100 kg	4,519 lb 2 050 kg
-9.8 ft -3.0 m	8,378 lb* 3 800 kg*	8,378 lb* 3 800 kg*	5,842 lb* 2 650 kg*	5,842 lb* 2 650 kg*					5,952 lb* 2 700 kg*	5,732 lb 2 600 kg

\* Indicates load limited by hydraulic lifting capacity  
 In the interest of continual equipment development, SANY America Inc. reserves the right to change these specifications at any time without prior notification.

# SY95C PRODUCT SPECIFICATIONS SANY



## STANDARD FEATURES

- ➔ Conventional Tail Swing and Fixed Boom Swing
- ➔ Load-Sensing Hydraulic System Provides Increased Efficiency and Control
- ➔ Powerful Yanmar Engine
- ➔ No DEF Required

Gross Power  
**72 hp**

---

Dig Depth  
**14' 2"**

---

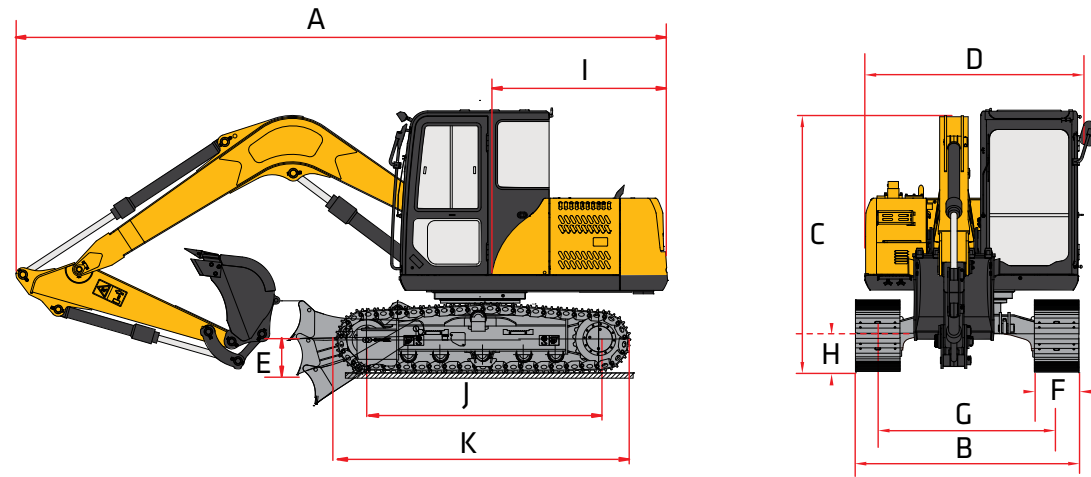
Operating Weight  
**20,238 lb**

---

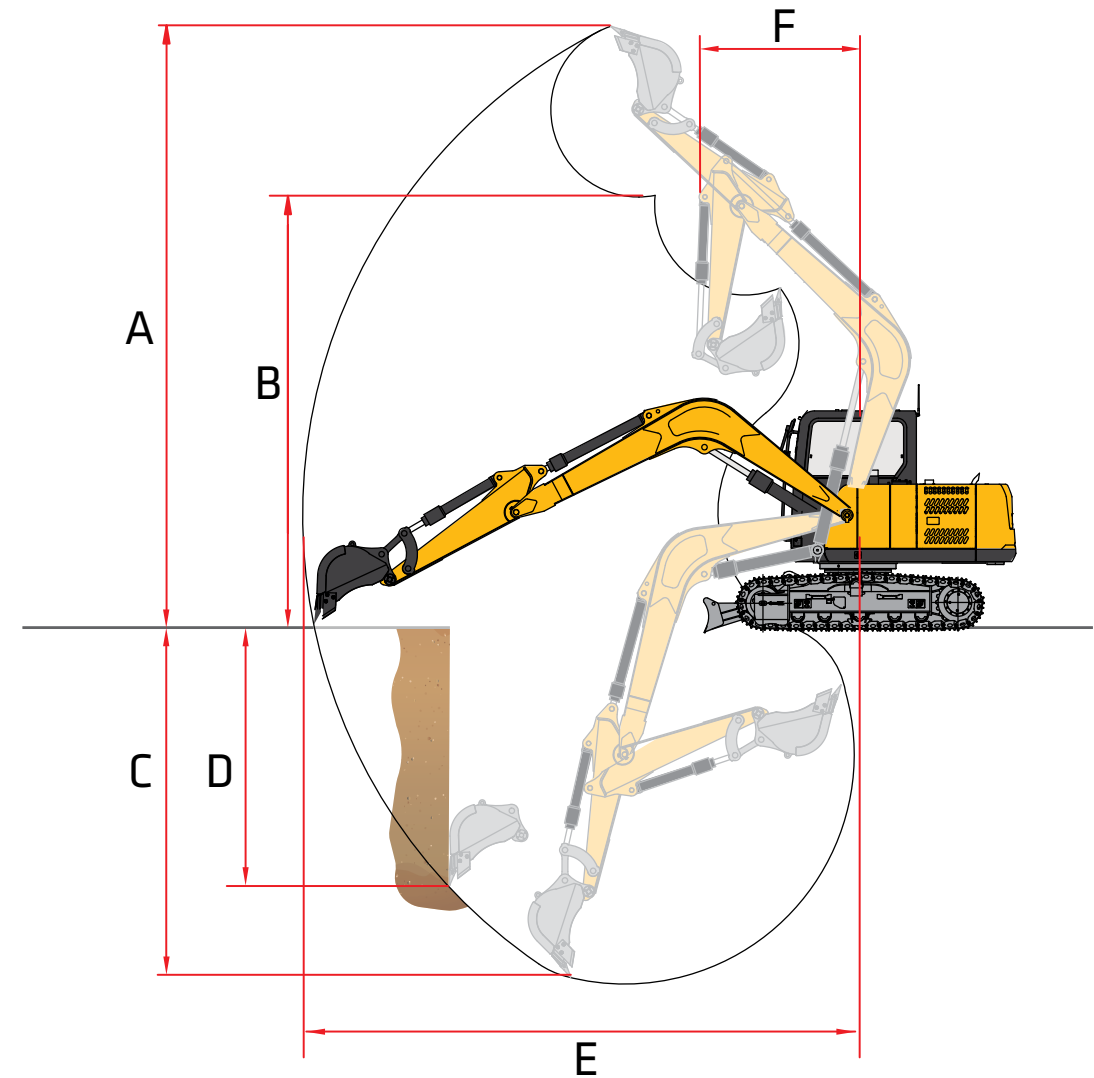
Bucket Breakout  
**14,298 lbf**



DIMENSIONS



WORKING RANGE



Lifting power and stability with no DEF requirements

TECHNICAL SPECIFICATIONS

Operating Weight	20,238 lb	9 180 kg
Ground Pressure	5.6 psi	38.6 kPa
<b>Engine</b>	Yanmar 4TN98CT-VSY2	
Displacement	201.4 in <sup>3</sup>	3.3 L
Gross Power	72.0 HP	53.7 kW
<b>Hydraulics</b>	Load Sensing with Pilot Control	
Main Hydraulic Pump	Axial Piston - Variable Displacement	
Operating Flow (maximum)	52.7 gal/min	199.5 L/min
Operating Pressure (maximum)	3,814 psi	26.3 MPa
Auxiliary Flow (maximum)	29 gal/min	110 L/min
Auxiliary Pressure (maximum)	4,061 psi	28 MPa
<b>Travel Motor</b>	Axial Piston with Park Brake	
Travel Pressure (maximum)	3,814 psi	26.3 MPa
Travel Speeds (maximum)	1.8 / 3.1 mph	2.9 / 5.0 km/hr
Travel Effort (maximum)	18,659 lbf	83.0 kN
Grade Capability (maximum)	35°	
<b>Swing Motor</b>	Axial Piston with Swing Brake	
Swing Pressure (maximum)	3,118 psi	21.5 MPa
Swing Speed (maximum)	11 RPM	
<b>Undercarriage (standard)</b>	Steel Track	
Track Shoe width (standard)	18"	450 mm
Track Rollers (per side)	5	
Carrier Rollers (per side)	1	

DIMENSIONS

Boom Length	13' 1"	4 000 mm
Stick (Arm) Length	6' 7"	2 000 mm
A Transport Length	21' 6"	6 560 mm
B Transport Width	7' 5"	2 260 mm
C Transport Height	10' 6"	3 200 mm
D Upper Structure Width	7' 1"	2 160 mm
E Blade Height	17"	420 mm
F Track Width (standard shoe)	18"	450 mm
G Track Gauge	5' 11"	1 810 mm
H Ground Clearance (minimum)	14"	360 mm
I Tail Swing Radius	6' 2"	1 885 mm
J Track Length on Ground	7' 8"	2 340 mm
K Track Length	9' 9"	2 980 mm

SERVICE REFILL CAPACITIES

Fuel Tank Capacity	42.3 gal	160.0 L
Hydraulic Tank Capacity	31.7 gal	120.0 L
Engine Oil Capacity	2.6 gal	10.0 L
Cooling System Capacity	3.2 gal	12.0 L

WORKING RANGE

Boom Length	13' 1"	4 000 mm
Stick (Arm) Length	6' 7"	2 000 mm
A Maximum Digging Height	23' 10"	7 260 mm
B Maximum Dumping Height	17' 1"	5 210 mm
C Maximum Digging Depth	14' 2"	4 330 mm
D Maximum Vertical Wall Digging Depth	10' 1"	3 080 mm
E Maximum Reach at Ground Level	21' 10"	6 660 mm
F Minimum Swing Radius	6' 6"	1 990 mm

DIGGING PERFORMANCE

Boom Length	13' 1"	4 000 mm
Stick (Arm) Length	6' 7"	2 000 mm
Bucket Breakout Force (ISO)	14,298 lbf	63.6 kN
Stick (Arm) Digging Force (ISO)	10,521 lbf	46.8 kN

\*Based on theoretical calculation at max flow with no load. Subject to alterations.

In the interest of continual equipment development, SANY America, Inc. reserves the right to change these specifications at any time without prior notification. ©2022 SANY America Inc. HEXPS22SY95C001

In the interest of continual equipment development, SANY America, Inc. reserves the right to change these specifications at any time without prior notification. ©2022 SANY America Inc. HEXPS22SY95C001