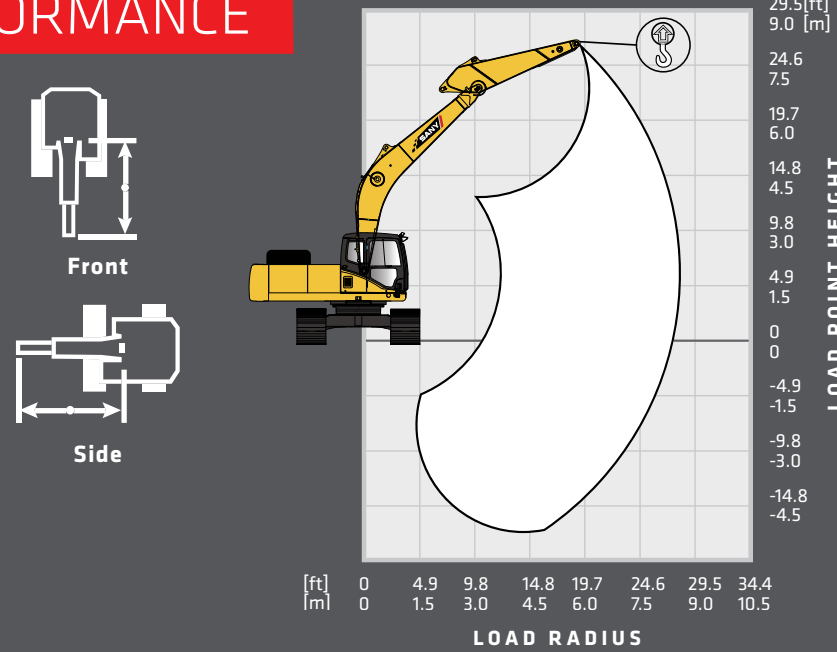


# SY265C LIFTING PERFORMANCE

Standard 19' 4" (5900 mm) Boom  
 Standard 9' 8" (2950 mm) Arm  
 Standard 31" (800 mm) Track Shoes  
 No Bucket

Ratings are based on ISO 10567:2007. Lift capacity does not exceed 75% of tipping load with the machine on firm, level ground or 87% of hydraulic lifting capacity.



## BLADE DOWN

LOAD RADIUS	10.0 ft 3.0 m		15.0 ft 4.5 m		20.0 ft 6.0 m		25.0 ft 7.5 m		MAX REACH	
LOAD POINT HEIGHT										
25.0 ft 7.5 m					13,186 lb* 5981 kg*	13,186 lb* 5981 kg*			13,228 lb* 6000 kg*	13,228 lb* 6000 kg*
9.8 ft 6.0 m					13,411 lb* 6083 kg*	13,411 lb* 6083 kg*	12,732 lb 5775 kg	12,507 lb 5673 kg	12,500 lb* 5670 kg*	12,434 lb* 5640 kg*
15.0 ft 4.5 m					13,761 lb* 6242 kg*	13,761 lb* 6242 kg*	12,870 lb 5838 kg	12,527 lb 5682 kg	12,489 lb 5665 kg	11,045 lb 5010 kg
10.0 ft 3.0 m			20,853 lb* 9459 kg*	20,853 lb* 9459 kg*	17,319 lb 7856 kg	16,539 lb 7502 kg	14,824 lb 6724 kg	11,872 lb 5385 kg	13,494 lb 6121 kg	10,187 lb 4621 kg
5.0 ft 1.5 m			25,822 lb 11713 kg	23,885 lb 10834 kg	19,555 lb 8870 kg	15,692 lb 7118 kg	15,514 lb 7037 kg	11,444 lb 5191 kg	13,115 lb 5949 kg	9,764 lb 4429 kg
0 ft 0 m			28,195 lb 12789 kg	23,098 lb 10477 kg	21,034 lb 9541 kg	15,121 lb 6859 kg	15,194 lb 6892 kg	11,131 lb 5049 kg	13,479 lb 6114 kg	9,980 lb 4527 kg
-5.0 ft -1.5 m	24,451 lb* 11091 kg*	24,451 lb* 11091 kg*	28,836 lb 13080 kg	22,855 lb 10367 kg	21,107 lb 9574 kg	15,165 lb 6879 kg	15,329 lb 6953 kg	11,261 lb 5108 kg	14,777 lb 6703 kg	10,983 lb 4982 kg
-10.0 ft -3.0 m	39,032 lb* 17705 kg*	39,032 lb* 17705 kg*	27,652 lb 12543 kg	23,054 lb 10457 kg	20,589 lb 9339 kg	15,265 lb 6924 kg			17,485 lb 7931 kg	12,934 lb 5867 kg
-15.0 ft -4.5 m	33,644 lb* 15261 kg*	33,644 lb* 15261 kg*	23,841 lb 10814 kg	23,735 lb 10766 kg					19,010 lb 8623 kg	17,780 lb 8065 kg

\* Indicates load limited by hydraulic lifting capacity  
 In the interest of continual equipment development, SANY America Inc. reserves the right to change these specifications at any time without prior notification.

# SY265C

## PRODUCT SPECIFICATIONS



## STANDARD FEATURES

- Powerful, robust and reliable powertrain & hydraulic components for long life in the most demanding applications
- A high-performance cooling system equipped with electronic control fan clutch provides clean, quiet operation
- Optimized positive flow control hydraulics improve operating efficiency by up to 5% and fuel efficiency by up to 10%
- Selectable working modes match machine performance to the application, maximizing productivity and minimizing operating costs

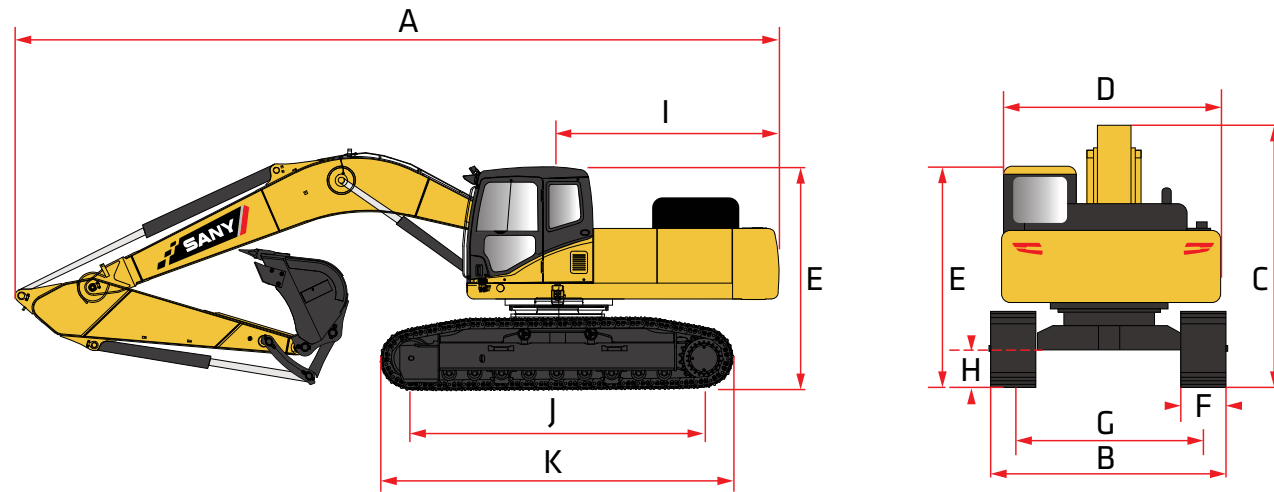
Gross Power  
**194 hp**

Dig Depth  
**22'**

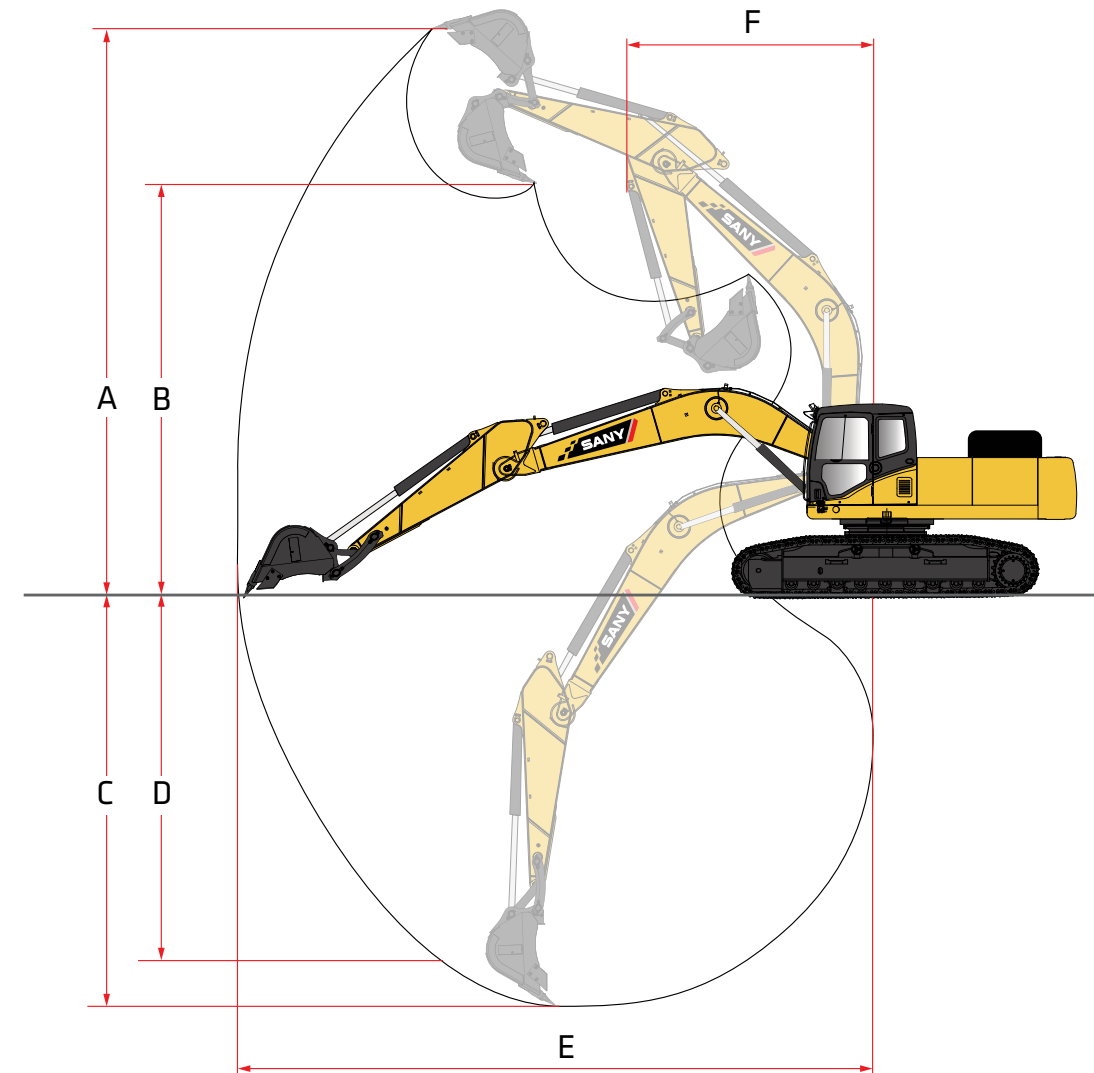
Operating Weight  
**59,525 lb**

Bucket Breakout  
**42,039 lbf**

DIMENSIONS



WORKING RANGE



Powerful, robust and reliable powertrain and hydraulic components

TECHNICAL SPECIFICATIONS

Operating Weight	59,525 lb	27,000 kg
Ground Pressure	5.7 psi	39.3 kPa
<b>Engine</b>	Cummins QSB 6.7 T4F	
Displacement	408.9 in <sup>3</sup>	6.7 L
Gross Power	194.4 HP	145 kW
<b>Hydraulics</b>	Positive Flow Control with Pilot Control	
Main Hydraulic Pump	Axial Piston – Variable Displacement	
Operating Flow (maximum)	137.4 gal/min	520.0 L/min
Operating Pressure (maximum)	4975 psi	34.3 MPa
Power Boost Pressure (maximum)	5410 psi	37.3 MPa
<b>Travel Motor</b>	Axial Piston with Park Brake	
Travel Pressure (maximum)	4975 psi	34.3 MPa
Travel Speeds (maximum)	2.2 / 3.4 mph	3.5 / 5.5 km/hr
Travel Effort (maximum)	51,032 lbf	227.0 kN
Grade Capability (maximum)	35°	
<b>Swing Motor</b>	Axial Piston with Swing Brake	
Swing Pressure (maximum)	3989 psi	27.5 MPa
Swing Speed (maximum)	10.6 RPM	
<b>Undercarriage (standard)</b>	Steel Track	
Track Shoe width (standard)	31"	800 mm
Track Rollers (per side)	9	
Carrier Rollers (per side)	2	

DIMENSIONS

Boom Length	19' 4"	5900 mm
Stick (Arm) Length	9' 8"	2950 mm
A Transport Length	33' 9"	10290 mm
B Transport Width	11' 1"	3390 mm
C Transport Height	10' 8"	3255 mm
D Upper Structure Width	10' 4"	3150 mm
E Cab Height	9' 8"	2957 mm
F Track Width (standard shoe)	31"	800 mm
G Track Gauge	8' 6"	2590 mm
H Ground Clearance (minimum)	19"	470 mm
I Tail Swing Radius	10' 2"	3105 mm
J Track Length on Ground	12' 7"	3830 mm
K Track Length	15' 3"	4636 mm

SERVICE REFILL CAPACITIES

Fuel Tank Capacity	122.8 gal	465.0 L
DEF Tank Capacity	10.0 gal	38.0 L
Hydraulic Tank Capacity	73.2 gal	277.0 L
Engine Oil Capacity	6.5 gal	24.7 L
Cooling System Capacity	10.6 gal	40.0 L

WORKING RANGE

Boom Length	19' 4"	5900 mm
Stick (Arm) Length	9' 8"	2950 mm
A Maximum Digging Height	31' 11"	9740 mm
B Maximum Dumping Height	22' 0"	6715 mm
C Maximum Digging Depth	22' 0"	6706 mm
D Maximum Vertical Wall Digging Depth	18' 7"	5675 mm
E Maximum Reach at Ground Level	33' 7"	10225 mm
F Minimum Swing Radius	12' 6"	3800 mm

DIGGING PERFORMANCE

Boom Length	19' 4"	5900 mm
Stick (Arm) Length	9' 8"	2950 mm
Bucket Breakout Force (ISO)	42,039 lbf	187.0 kN
Stick (Arm) Digging Force (ISO)	29,225 lbf	130.0 kN