

SW405K

PRODUCT SPECIFICATIONS

SANY



STANDARD FEATURES

- Engine: Deutz TCD 7.8
- Boom Suspension System
- Locking Differential Axle
- Automatic Transmission Kick Down
- Bucket Self-Leveling and Return to Dig
- SANYLive Telematics
- Single Joystick Control
- Third Function Hydraulics
- Reversible fan
- 360° View Camera

Net Power

252 hp / 188 kW

Bucket Capacity

4.0 yd³ / 3.06 m³

Operating Weight

40,786 lb / 18 500 kg

Straight Turn Tipping Load

37,093 lb / 16 825 kg

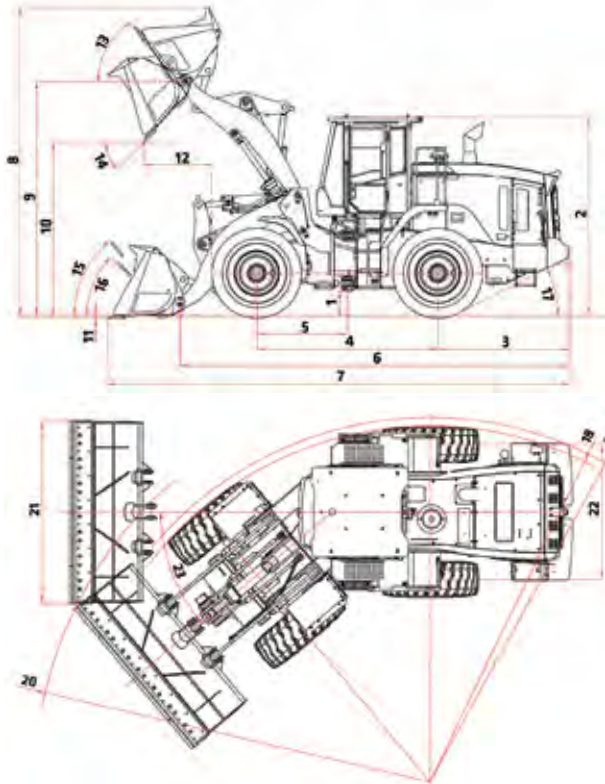
Full Turn Tipping Load

31,473 lb / 14 276 kg

PRODUCT SPECIFICATIONS

SANY SW405K

Machine Parameters



OVERALL DIMENSIONS

	STANDARD	METRIC
1 Height to Axle Centerline	17"	440 mm
2 Height to Top of Cab	139"	3 527 mm
3 Center Line of Rear Axle to Edge of Counterweight	92"	2 330 mm
4 Wheelbase	10' 6"	3 200 mm
5 Center Line of Front Axle to Center Pivot	63"	1 600 mm
6 Shipping Length without Attachment	22' 6"	6 862 mm
7 Shipping Length with Bucket	26' 8"	8 142 mm
8 Max. Dump Height	17' 10"	5 441 mm
9 Hinge Pin Height at Max. Lift	13' 6"	4 133 mm
10 Dump Clearance at Max. Lift	10' 2"	3 090 mm
11 Dig Depth, Level Bucket	2.2"	56 mm
12 Reach at Max. Lift and 45° Discharge	46"	1 165 mm
13 Roll Back at Max. Lift		58°
14 Dump Angle at Max. Lift and Dump		45°
15 Roll Back at Carry Height		51°
16 Roll Back at Ground		45°
17 Tail Angle to the Rear Wheel		27°
18 Clearance Circle to Outside of Tires	18' 6"	5 650 mm
19 Clearance Circle to Counterweight	19' 5"	5 911 mm
20 Max. Circle	21' 2"	6 456 mm
21 Width of the Bucket	9' 10"	3 000 mm
22 Width	87"	2 200 mm
23 Articulation Angle		+/- 40°

In the interest of continual equipment development, SANY America Inc. reserves the right to change these specifications at any time without prior notification.

WEIGHT

Operating Weight	40,786 lbs	18 500 kg
------------------	------------	-----------

ENGINE

Deutz TCD7.8

Max Gross Power	262 hp	195 kW
Net Engine Power	252 hp	188 kW
Max Gross Torque	962 lb ft	1304 Nm
Displacement	476 in ³	7.8 L

OPERATING

Bucket Capacity	4.0 yd ³	3.06 m ³
Breakout Force	40,466 lbf	180 kN
Tipping Load Straight	37,093 lbs	16 825 kg
Tipping Load @ Full Turn	31,473 lbs	14 276 kg
Clearance (full lift 45° dump)	10' 2"	3098.8 mm
Reach (full lift 45° dump)	3' 10"	1168.4 mm

HYDRAULIC SYSTEM

Max Flow	81 GPM	306.6 LPM
Max Pressure	3,916 PSI	

HYDRAULIC CYCLE TIMES

Raise	5.4 sec
Dump	1.9 sec
Float Down	3.3 sec
Total Cycle Time	10.6 sec

SERVICE CAPACITIES

Fuel Tank	79.3 gal	300.6 L
Cooling System	11.9 gal	45 L
Engine Crankcase	6.0 gal	22.7 L
Transmission	9.5 gal	35.9 L
Front Axle	5.0 gal	18.9 L
Rear Axle	5.0 gal	18.9 L
Hydraulic Tank	76.7 gal	290.3 L
DEF Tank	5.3 gal	20 L

TRANSMISSION

Shift Modes	Automatic, Manual, Kick Down
Forward Gear 1-4	4-25 mph
Reverse Gear 1-3	4-16 mph

POWER TRAIN

Front Axle	Fixed
Traction Aid	Manual Differential Lock
Rear Axle	Oscillating
Traction Aid	Open Differential
Service Brakes	Wet Disk
Parking Brake	Disk Brake