



# SY35U

Hydraulic Excavator



## KEY FEATURES

- Zero tail swing radius and independent boom swing allow operation in extremely confined spaces
- The independently developed intelligent control system matches pump output to available engine power for greater hydraulic system efficiency and lower fuel consumption
- Two-way auxiliary hydraulics are standard

### Total Weight

3,855 kg - 8,500 lbs

### Rated Power

20.4 kW @ 2,200 rpm -  
27.3 hp @ 2,200 rpm

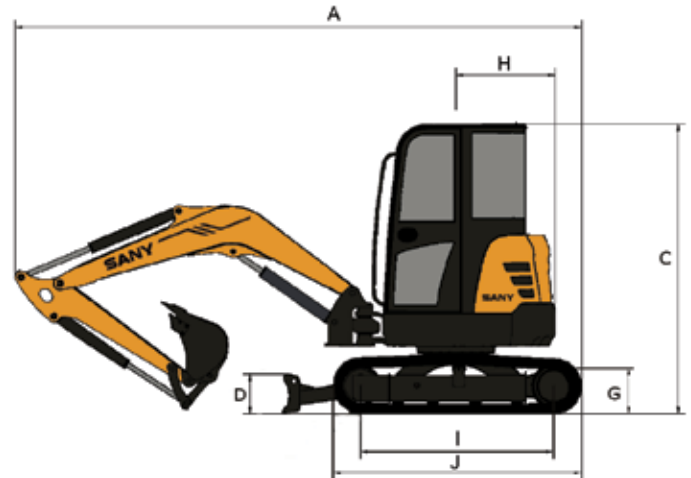
### Bucket Digging Force

30.4 kN - 6,834 lb

# SY35U Dimensions & Specifications

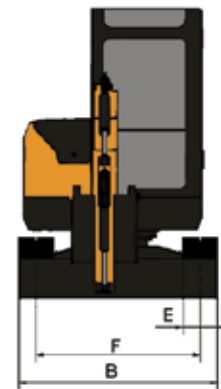
## OVERALL DIMENSIONS

	Standard	Metric
A Transport Length	16' 2"	4915 mm
B Transport Width	5' 8"	1720 mm
C Transport Height	8' 3"	2515 mm
D Blade Height	1' 2"	350 mm
E Track Width (standard)	1' 0"	300 mm
F Track Gauge	4' 8"	1420 mm
G Minimum Ground Clearance	1' 0"	295 mm
H Tail Swing Radius	2' 10"	860 mm
I Track Ground Length	5' 6"	1670 mm
J Track Length	7' 1"	2155 mm
Boom Length	8' 4"	2540 mm
Arm Length (standard)	4' 7"	1400 mm



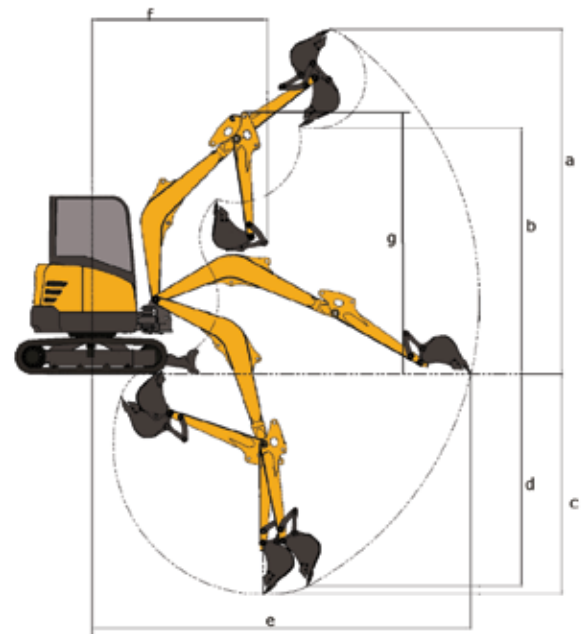
## WORKING RANGE

	Standard	Metric
a Maximum Digging Height	15' 11"	4855 mm
b Maximum Dumping Height	11' 4"	3460 mm
c Maximum Digging Depth	10' 2"	3105 mm
d Maximum Vertical Wall Digging Depth	8' 10"	2700 mm
e Maximum Digging Reach	17' 11"	5465 mm
f Minimum Swing Radius	8' 1"	2475 mm
g Maximum Height at Minimum Swing Radius	12' 1"	3685 mm



## MACHINE PARAMETERS

Operating Weight	8,500 lb (3855 kg)
Engine Type	Yanmar Tier 4 final
Engine Max Power (Net)	24.4 hp (18.2 kW) @ 2200rpm
Engine Max Torque	69.3 lb-ft (94 Nm) @ 1320 rpm
Engine Displacement	98 in <sup>3</sup> (1.6 liter)
Main Pump Flow	23 gpm (88 lpm)
Swing Speed	9 rpm
Travel Speed	1.5/2.7 mph (2.4/4.4 km/h)
Tractive Effort	8,273 lbf (36.8 kN)
Max Arm Digging Force (ISO)	4,092 lbf (18.2 kN)
Number of Upper Rollers	1
Number of Lower Rollers	4
Fuel Tank Capacity	10.6 gal (40 liter)
Hydraulic Tank Capacity	10.6 gal (40 liter)
Cooling System Capacity	1.7 gal (6.5 liter)
Engine Oil Capacity	1.8 gal (6.7 liter)
Ground Pressure (with standard shoes)	4.6 psi (32 kPa)



### SANY America Inc.

318 Cooper Circle | Peachtree City, GA 30269  
T: 678-251-2810 | F: 770-632-7820

[www.sanyamerica.com](http://www.sanyamerica.com)

